

ONKYO® SERVICE MANUAL

AUDIO VIDEO CONTROL RECEIVER MODEL TX-DS777

Black and Golden models

BMD	120V AC, 60Hz
BMP,BMPT,GMPT	230V AC, 50Hz
BMWT,BMWR,GMWT, GMWR	220-230V/120V AC, 50/60Hz

SAFETY-RELATED COMPONENT WARNING!!

COMPONENTS IDENTIFIED BY MARK \triangle ON THE SCHEMATIC DIAGRAM AND IN THE PARTS LIST ARE CRITICAL FOR RISK OF FIRE AND ELECTRIC SHOCK. REPLACE THESE COMPONENTS WITH ONKYO PARTS WHOSE PART NUMBERS APPEAR AS SHOWN IN THIS MANUAL.

MAKE LEAKAGE-CURRENT OR RESISTANCE MEASUREMENTS TO DETERMINE THAT EXPOSED PARTS ARE ACCEPTABLY INSULATED FROM THE SUPPLY CIRCUIT BEFORE RETURNING THE APPLIANCE TO THE CUSTOMER.

TABLE OF CONTENTS

- Specifications..... 2
- Service procedures..... 3
- Panel views..... 4
- FL tube view..... 7
- Microprocessor connection diagram..... 8
- Microprocessor terminal descriptions..... 9
- IC block diagrams and descriptions..... 10
- Printed circuit board-part list..... 23
- Adjustment and confirmation..... 29
- Wiring view..... 31
- Block diagram..... 33
- Preamplifier PC board view..... 37
- Preamplifier schematic diagram..... 37
- Power/Input PC board view..... 41
- Power/Input schematic diagram..... 41
- Main circuit PC board view..... 45
- Main circuit schematic diagram 45
- DSP PC board view 49
- DSP schematic diagram 49
- Power amplifier PC board view..... 53
- Power amplifier schematic diagram..... 53
- Display PC board view..... 57
- Display circuit schematic diagram..... 57
- Video circuit PC board view..... 61
- Video circuit schematic diagram..... 61
- Exploded view..... 63
- Parts list..... 65
- Packing view..... 67



SPECIFICATIONS

AMPLIFIER SECTION

Continuous Average Power output (FTC)

All channels: 105 watts per channel min. RMS at 8 ohms, 2 channels driven from 20 Hz to 20 kHz with no more than 0.08% total harmonic distortion.
135 watts min. RMS at 6 ohms, 2 channels driven from 1 kHz with no more than 0.1% total harmonic distortion.

Continuous Power output (DIN) 140 watts at 6 ohms
Maximum Power output (EIAJ) 170 watts at 6 ohms
Total Harmonic Distortion: 0.08% at rated power (Front)
IM Distortion: 0.08% at rated power (Front)
Damping Factor: 60 at 8 ohms (Front)

Input Sensitivity and Impedance

PHONO: 2.5 mV, 50 kohms
LINE (CD, TAPE, DVD,
VIDEO 1, 2, 3,4): 200 mV, 50 kohms

MULTICHANNEL INPUT

(FRONT L/R, SURROUND L/R, CENTER):

200 mV, 50 kohms

(SUBWOOFER): 36 mV, 50 kohms

COAXIAL 1, 2 (DIGITAL): 0.5 V_{p-p}, 75 ohms

Output Level and Impedance

Rec out (TAPE, VIDEO 1): 200 mV, 2.2 kohms

Pre out: 1 V, 470 ohms

Phono Overload:

110 mV RMS at 1 kHz, 0.5% T.H.D.

Frequency Response:

20 Hz to 100 kHz, +1/-3 dB(LINE INPUT)

RIAA Deviation:

20 Hz to 20 kHz, ±0.8 dB

Tone Control

Bass: ±10 dB at 100 Hz

Treble: ±10 dB at 10 kHz

Signal-to-Noise Ratio

Phono: 80 dB (IHF A, 5 mV input)

CD/Tape: 100 dB (IHF A)

VIDEO SECTION

Input sensitivity/Impedance

(DVD, VIDEO 1, 2, 3,4)

VIDEO (Composite): 1 V_{p-p}, 75 ohms

Output Level/Impedance

(VIDEO 1, MONITOR)

VIDEO (Composite): 1 V_{p-p}, 75 ohms

TUNER SECTION

FM

Tuning Range: 87.5 — 108.0 MHz (50 kHz steps)

Usable Sensitivity

Mono: 11.2 dBf, 1.0 μV (75 ohms IHF)
0.9 μV (75 ohms DIN)

Stereo: 17.2 dBf, 2.0 μV (75 ohms IHF)
23 μV (75 ohms DIN)

50 dB Quieting Sensitivity

Mono: 17.2 dBf, 2.0 μV (75 ohms)

Stereo: 37.2 dBf, 20 μV (75 ohms)

Capture Ratio:

2.0 dB

Image Rejection Ratio

U.S.A. & Canadian models: 40 dB

Other area models: 85 dB

IF Rejection Ratio:

90 dB

Signal-to-Noise Ratio

Mono: 76 dB

Stereo: 70 dB

Alternate Channel Attenuation:

55 dB

Selectivity:

50 dB (DIN)

AM Suppression Ratio:

50 dB

Total Harmonic Distortion

Mono: 0.2%

Stereo: 0.3%

Frequency Response:

30 Hz — 15 kHz, ±1.0 dB

Stereo Separation:

45 dB at 1 kHz

30 dB at 100 Hz — 10 kHz

AM

Tuning Range

U.S.A. & Canadian models: 530—1,710 kHz (10 kHz steps)

European & Australian models: 522—1,611 kHz (9 kHz steps)

Worldwide models: 531—1,602 kHz (9 kHz steps)

530—1,710 kHz (10 kHz steps)

Usable Sensitivity:

30 μV

Image Rejection Ratio:

40 dB

IF Rejection Ratio:

40 dB

Signal-to-Noise Ratio:

40 dB

Total Harmonic Distortion:

0.7%

GENERAL

Power Supply:

AC 120 V, 60 Hz

AC 230 V, 50 Hz

AC 220-230 V and 120 V switchable.

50/60 Hz

Power Consumption:

6.2 A

520 W

Dimensions (W × H × D):

435 × 175 × 453 mm

17-1/8" × 6-7/8" × 17-13/16"

Weight:

USA & Canadian models: 16.3 kg, 35.9 lbs.

Others: 17.6 kg, 38.8 lbs.

REMOTE CONTROL

Transmitter:

Infrared

Signal range:

Approx. 5 meters, 16 ft.

Power supply:


Two "AA" batteries (1.5 V × 2)


Specifications and features are subject to change without notice.

Power supply and voltage vary depending on the area in which the unit is purchased.

SERVICE PROCEDURES

1. Replacing the fuses

 This symbol located near the fuses indicates that the fuse used is fast operating type. For continued protection against fire hazard, replace with same type fuse. For fuse rating refer to the marking adjacent to the symbol.

 Ce symbole indique que le fusible utilise est a rapide. Pour une protection permanente, n'utiliser que fusibles de meme type. Ce dernier est la qu le present symbol est appse.

CIRCUIT NO.	PART NO.	DESCRIPTION
F901	252196	12A-UL, Primary <D/W>
F902	252079 or	6.3A-SE-EAK or
	252245	6.3A-SE-TL250V,Primary <P/T/W>
F903	252075 or	2.5A-SE-EAK or
	252241	2.5A-SE-TL250V,AC outlet <P/T>
F941,F942	252160	2.5A-UL/T237,Secondary <D>
	252241 or	2.5A-SE-EAK or
	252075	2.5A-SE-TL250V,Secondary <P/T/W>

Note: <D>:120V model only
 <P>: European model only
 <T>: Asian model only
 <W>:Worldwide model only

2. To initialize the unit

This device employs a microprocessor to perform various functions and operations. If interference generated by an external power supply, radio wave, or other electrical source results in accident which causes the specified operations and functions to operate abnormally.

To perform a result, please follow the procedure below.

- 1.Press and hold down the VIDEO-1 button, then press the SPEAKER A button.
- 2.After "clear" is displayed, the preset memory and each mode stored in the memory, such as surround, are initialized and will return to the factory setting.

3. Safety-check out

(Only U.S.A. model)

After correcting the original service problem, perform the following safety check before releasing the set to the customer. Connect the insulating-resistance tester between the plug of power supply cord and screw on the back panel. Specifications: 3.3Mohm±10% at 500V.

4. Memory Preservation

This unit does not require memory preservation batteries. A built-in memory power back-up system preserves the contents of the memory during power failures and even when the unit is unplugged. The unit must be plugged in order to charge the back-up system.

The memory preservation period after the unit has been unplugged varies depending on climate and placement of the unit. On the average, memory contents are protected over a period of a few weeks after the last time the unit has been unplugged. This period is shorter when the unit is exposed to a highly humid climate.

5.Setting the AM tuning step frequency (Worldwide models only)

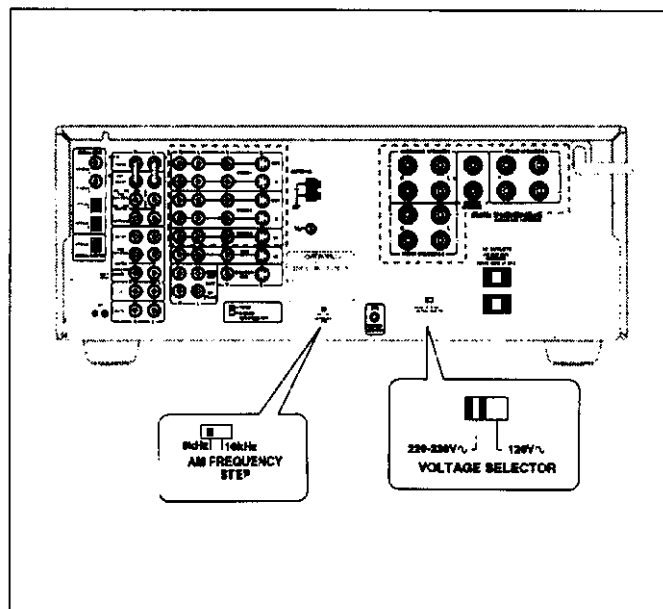
Worldwide models are equipped with a switch that controls the AM band tuning steps. Please set this switch to match the AM band tuning step frequency in your area.

- U.S.A. and Canada : 10 kHz
- Other areas : 9 kHz

6.Setting the Voltage selector (Worldwide models only)

Worldwide models are equipped with a voltage selector to conform with local power supplies. Be sure to set this switch to match the voltage of the power supply in your area before plugging in the unit.

1. Determine the proper voltage for your area: 220-230 V or 120 V.
2. If the preset voltage is not correct for your area, insert a screw-driver into the groove in the switch. Slide the switch all the way to the right (120 V) or to the left (220-230 V), whichever is appropriate.

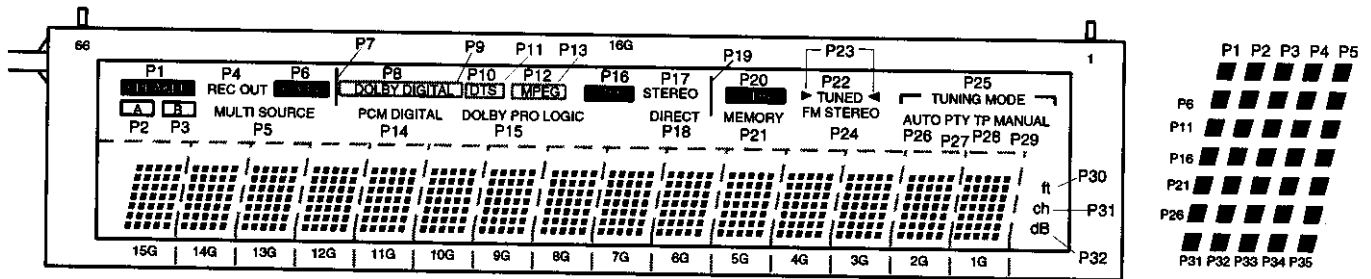


7. Changing the AM band step

With the exception of the worldwide models,a tuning step selector switch is not provided. When you change the band step, change the parts as shown below.

	To 10kHz	To 9kHz
R8085	Open	10k
R8086	10k	Open

FL TUBE VIEW



1. How to enter into Debug mode

During press and hold DSP key, press DISPLAY key.

Then "DEBUG MODE=NO" is displayed on FL tube.

During press and hold DSP key, press DISPLAY key again.

Then "DEBUG MODE=YES" is displayed on FL tube.

		0	1
15G,14G	Dialog normalization		
13G	DIR ERF	Digital In	No Digital In
12G	DIR AUTODATA	PCM	AC-3
10G,9G	DIR Address 03H	Refer to the table 2.	
8G,7G	DIR Address 04H	Refer to the table 3.	
5G,4G	Input mode	Refer to the table 4.	
3G	Mode	Refer to the table 5.	
2G	Surround mode	Refer to the table 6.	

Table 1

0X		0X		2X	
X=0		7	Reserved	X=0	Silent
1	Dolby Digital	8	MPEG2 L1	1	DTS LD
2	Reserved	9	MPEG2 L2/3	2	DTS CD
3	Pause	a	Reserved	3	Linear PCM
4	MPEG1 L1	b	DTS1(512)		
5	MPEG1 L2,3/MPEG2 w/o	c	DTS1(1024)		
6	MPEG2 w/e	d	DTS1(2048)		

Table 4

D7	D6	D5	D4	D3	D2	D1	D0
ERF	0	~AUDIO	AUTO	PEM	FS1	FS0	FS96
	0	0	0	0	0	0	0

Table 2

Audio bit
0:Audio
1:Non audio

Pre-empha. output
0:Off
1:On

Sampling frequency
00:44.1kHz
01:Off
10:48kHz
11: 32kHz

0	LFE:Off
1	LFE:On
8	Dolby surround encoder:Off
9	Dolby surround encoder:ON

Table 5

D7	D6	D5	D4	D3	D2	D1	D0
CV	STC	CRC	LOCK	V	0	BIP	PAR
0	0	0	0	0	0	0	0

Channel Status Validity

0:Valid

Table 3

DSP	When DTS		When DTS	
0	1+1	0	Mono	8
1	1/0	1	Dual Mono	9
2	2/0	2	L+R	a
3	3/0	3	(L+R)+(L-R)	b
4	2/1	4	L+Ri	c
5	3/1	5	C+L+R	d
6	3/2	6	L+R+S	e
		7	C+L+R+S	f

Table 6

PRINTED CIRCUIT BOARD-PARTS LIST

CAUTION: Replacement of the transistor of mark #. If necessary, must be made from the same beta group (HFE) as the original type.

POWER AMPLIFIER PC BOARD (NAAF-6640-1A/1B)

CIRCUIT NO.	PART NO.	DESCRIPTION	CIRCUIT NO.	PART NO.	DESCRIPTION
	Transistors			Diodes	
Q5001,Q5002	2210755,	* 2SC1775A-E,	D5001,D5101	223163 or	1SS133 or
Q5101,Q5102	2210756,	* 2SC1775A-F,	D5201,D5301	223205	1SS270A
Q5201,Q5202	2211732 or	* 2SC1845-F or	D5401	223163 or	1SS133 or
Q5301,Q5302	2211733	* 2SC1845-E	D5601-D5607	223205	1SS270A
Q5003,Q5103	2210755,	2SC1775A-E,	D5608	224471303	MTZJ13C,Zener
Q5203,Q5303	2210756,	2SC1775A-F,	D5643,D5644	223163 or	1SS133 or
Q5403	2211732 or	2SC1845-F or		223205	1SS270A
Q5644,Q5645	2211733	2SC1845-E	D5647	224470512	MTZJ5.1B,Zener
Q5004,Q5104	2212115,	2SC2458-GR,		Coils	
Q5204,Q5304	2213284 or	2SC1740S-R or	L5201,L5301	231176S	S-1.3C <P/T/W>
Q5404	2215864	NP KTC3199-GR		Capacitors	
Q5005-Q5007	2211353,	2SA949-O,	C5001,C5101	393884707	47 μ F,50V,Elect.
Q5105-Q5107	2211354,	2SA949-Y,	C5004,C5104	354742219	220 μ F,16V,Elect.
Q5205-Q5207	2215843 or	NP KTA1024-O or	C5005,C5105	354722219	220 μ F,6.3V,Elect.
	2215844	NP KTA1024-Y	C5010,C5110	354781009	10 μ F,50V,Elect.
Q5008,Q5108	2211633,	2SC2229-O,	C5017,C5018	354794709	47 μ F,100V,Elect.
Q5208,Q5211	2211634,	2SC2229-Y,	C5117,C5118	354794709	47 μ F,100V,Elect.
	2215853 or	NP KTC3206-O or	C5201,C5301	354784709	47 μ F,50V,Elect.
	2215854	NP KTC3206-Y	C5204,C5304	354742219	220 μ F,16V,Elect.
Q5209,Q5218	2213284	2SC1740S-R	C5205,C5305	354722219	220 μ F,6.3V,Elect.
Q5212,Q5312	2211353,	2SA949-O,	C5210-C5212	354781009	10 μ F,50V,Elect.
	2211354 or	2SA949-Y or	C5213,C5313	374721034	0.01 μ F \pm 5%,50V,Plastic
	2215843	NP KTA1024-O	C5214,C5314	374724734	0.047 μ F \pm 5%,50V,Plastic
Q5213,Q5313	2203010 or	* 2SC5171 or	C5215-C5218	354794709	47 μ F,100V,Elect.
	2203434	NP KTD2061-Y	C5310-C5312	354781009	10 μ F,50V,Elect.
Q5214,Q5314	2203000 or	* 2SA1930 or	C5315-C5318	354794709	47 μ F,100V,Elect.
	2203424	NP KTB1369-Y	C5401	393884707	47 μ F,50V,Elect.
Q5215,Q5315	2202822 or	* 2SC5200-R or	C5404	354742219	220 μ F,16V,Elect.
	2202823	* 2SC5200-O	C5405,C5645	354722219	220 μ F,6.3V,Elect.
Q5216,Q5316	2202812 or	* 2SA1943-R or	C5410	354781009	10 μ F,50V,Elect.
	2202813	* 2SA1943-O	C5417,C5418	354794709	47 μ F,100V,Elect.
Q5217,Q5317	2214984 or	2SC2631-R or	C5601-C5603	354761019	100 μ F,35V,Elect.
	2214985	2SC2631-S	C5646	354741009	10 μ F,16V,Elect.
Q5219,Q5319	2212863 or	2SC3419-O or	C5650	354780109	1 μ F,50V,Elect.
	2212864	2SC3419-Y		Resistors	
Q5305-Q5307	2211353,	2SA949-O,	R5014,R5015	443521014	100 Ω \pm 5%,1/2W,Metal oxide
Q5405-Q5407	2211354,	2SA949-Y,	R5017,R5117	443526804	68 Ω \pm 5%,1/2W,Metal oxide
	2215843 or	NP KTA1024-O or	R5018,R5019	443521014	100 Ω \pm 5%,1/2W,Metal oxide
	2215844	NP KTA1024-Y	R5114,R5115	443521014	100 Ω \pm 5%,1/2W,Metal oxide
Q5308,Q5311	2211633,	2SC2229-O,	R5118,R5119	443521014	100 Ω \pm 5%,1/2W,Metal oxide
Q5408	2211634 or	2SC2229-Y or	R5214,R5215	443521014	100 Ω \pm 5%,1/2W,Metal oxide
	2215853	NP KTC3206-O	R5217,R5317	443526804	68 Ω \pm 5%,1/2W,Metal oxide
Q5309,Q5318	2213284	2SC1740S-R	R5218,R5219	443521014	100 Ω \pm 5%,1/2W,Metal oxide
Q5401,Q5402	2210755,	* 2SC1775A-E,	R5222,R5322	5210290	N06HR4.7KBE,Trimming
	2210756,	* 2SC1775A-F,	R5226,R5326	443524714	470 Ω \pm 5%,1/2W,Metal oxide
	2211732 or	* 2SC1845-F or	R5229,R5329	443521514	150 Ω \pm 5%,1/2W,Metal oxide <D>
	2211733	* 2SC1845-E		443522214	220 Ω \pm 5%,1/2W,Metal oxide
Q5601	2212445	2SK365-GR		<P/T/W>	
Q5602-Q5604	2212115,	2SC2458-GR,	R5230,R5231	453530224	2.2 Ω \pm 5%,1/2W,Metal
	2213284 or	2SC1740S-R or	R5232,R5332	4000132 or	0.22 Ω *2,5.5W or
	2215864	NP KTC3199-GR		4500245	0.22 Ω *2,5.5W,Metal plate
Q5605,Q5606	221282,	DTC144ES,	R5240,R5340	453630824	8.2 Ω \pm 5%,1W,Metal
	2213560 or	RNI204 or	R5241,R5242	453530224	2.2 Ω \pm 5%,1/2W,Metal
	2215820	NP KRC104M	R5314,R5315	443521014	100 Ω \pm 5%,1/2W,Metal oxide
Q5607	2202115 or	2SD2061-E or	R5318,R5319	443521014	100 Ω \pm 5%,1/2W,Metal oxide
	2202116	2SD2061-F	R5330,R5331	453530224	2.2 Ω \pm 5%,1/2W,Metal
Q5641,Q5642	2212115,	2SC2458-GR,	R5341,R5342	453530224	2.2 Ω \pm 5%,1/2W,Metal
	2213284 or	2SC1740S-R or	R5414,R5415	443521014	100 Ω \pm 5%,1/2W,Metal oxide
	2215864	NP KTC3199-GR	R5417	443526804	68 Ω \pm 5%,1/2W,Metal oxide
Q5643	2213640,	DTC123JS,	R5418,R5419	443521014	100 Ω \pm 5%,1/2W,Metal oxide
	2214660 or	RNI205 or	R5643,R5644	453530224	2.2 Ω \pm 5%,1/2W,Metal
	2215830	NP KRC105M			
Q5646	2211792 or	2SA992-F or			
	2211793	2SA992-E			

CAUTION: Replacement of the transistor of mark #, if necessary, must be made from the same beta group (HFE) as the original type.

CIRCUIT NO.	PART NO.	DESCRIPTION	CIRCUIT NO.	PART NO.	DESCRIPTION
RL5643, RL5644	Relays 25065517, 25065563 or 25065586	NRL-2P5A-DC24-098, NRL-2P5A-DC24-129 or NRL-2P5A-DC24-142	R5022, R5122 R5026, R5126 R5029, R5129	Resistors 5210261 443524714 443521514 443522214	N06HR5KBC, Trimming 470 $\Omega \pm 5\%$, 1/2W, Metal oxide 150 $\Omega \pm 5\%$, 1/2W, Metal oxide <D> 220 $\Omega \pm 5\%$, 1/2W, Metal oxide <P/T/W>
JL5623B	25055628	NPLG-7P590	R5030, R5031	453530224	2.2 $\Omega \pm 5\%$, 1/2W, Metal
P5201, P5301	25055038	NPLG-2P29	R5032, R5132	4000132 or	0.22 $\Omega \pm 5\%$, 5.5W or
P5638	25055099	NPLG-2P83	R5432	4500245	0.22 $\Omega \pm 5\%$, 5.5W, Metal plate
P5641, P5642	25055038	NPLG-2P29	R5040	453630824	8.2 $\Omega \pm 5\%$, 1W, Metal
JL5622B	25050271	NSCT-7P99	R5130, R5131	453530224	2.2 $\Omega \pm 5\%$, 1/2W, Metal
JL5624B	25050267	NSCT-3P95	R5140, R5440	453630824	8.2 $\Omega \pm 5\%$, 1W, Metal
JL5625A	25051088	NSCT-4P875	R5422	5210261	N06HR5KBC, Trimming
P3011A	200B3381830UL	NSAS-18P0729	R5426	443524714	470 $\Omega \pm 5\%$, 1/2W, Metal oxide
P5002B, P5402B	25051426	NSCT-4P1213	R5429	443521514	150 $\Omega \pm 5\%$, 1/2W, Metal oxide <D>
P5102B	25051427	NSCT-5P1214		443522214	220 $\Omega \pm 5\%$, 1/2W, Metal oxide <P/T/W>
P5633B	25051428	NSCT-6P1215	R5430, R5431	453530224	2.2 $\Omega \pm 5\%$, 1/2W, Metal
P5634A	2009990350UL	NSAS-8P0727			
P5611	Clamp 260224	CP-1S	RL5641	Relays 25065563, 25065517 or 25065586	NRL-2P5A-DC24-129, NRL-2P5A-DC24-098 or NRL-2P5A-DC24-142
FRONT/CENTER POWER AMPLIFIER PC BOARD (NAAF-6601-1A/1B)			RL5642	25065574	NRL-1P5A-DC24-134
CIRCUIT NO.	PART NO.	DESCRIPTION		Plugs	
Q5009, Q5018	2213284	2SC1740S-R	P5001, P5101	25055038	NPLG-2P29
Q5011, Q5111	2211633, *	2SC2229-O,	P5002A, P5402A	25055783	NPLG-4P739
Q5411	2211634 or *	2SC2229-Y or	P5102A	25055784	NPLG-5P740
	2215853	NP KTC3206-O	P5401	25055038	NPLG-2P29
Q5012, Q5112	2211353, *	2SA949-O,	P5633A	25055785	NPLG-6P741
Q5412	2211354 or *	2SA949-Y or			
	2215843	NP KTA1024-O	JL5621A	25051110	NSCT-6P897
Q5013, Q5113	2203010 or *	2SC5171 or	JL5622A	25051111	NSCT-7P898
Q5413	2203434	NP KTD2061-Y	JL5624A	25051107	NSCT-3P894
Q5014, Q5114	2203000 or *	2SA1930 or	P5631A	2009990549UL	NSAS-12P0726
Q5414	2203424	NP KTB1369-Y	P5635A	2009990551UL	NSAS-4P0728
Q5017, Q5117	2214984 or	2SC2631-R or	THERMAL DETECTOR PC BOARD (NAETC-6602-1A/1B)		
Q5417	2214985	2SC2631-S	CIRCUIT NO.	PART NO.	DESCRIPTION
Q5019, Q5119	2212863 or *	2SC3419-O or	R5613	4000150	PTH9M04BC222TS2F333, Thermistor
Q5419	2212864	* 2SC3419-Y	R5614	4000153	PTH9M04BF222TS2F333, Thermistor
Q5109, Q5118	2213284	2SC1740S-R	JL5625B	25051088	NSCT-4P875, Socket
Q5409, Q5418	2213284	2SC1740S-R	SECONDARY CIRCUIT PC BOARD (NAETC-6606-1A/1B)		
Q5015, Q5115	2202822 or *	2SC5200-R or	CIRCUIT NO.	PART NO.	DESCRIPTION
Q5415	2202823	* 2SC5200-O	C941, C942	374731044	0.1 μ F $\pm 5\%$, 100V, Plastic capacitor
Q5016, Q5116	2202812 or *	2SA1943-R or	R941, R942	453530104	1 $\Omega \pm 5\%$, 1/2W, Metal resistor
Q5416	2202813	* 2SA1943-O	JL5621B	25051110	NSCT-6P897, Socket
			JL942B	25050286	NSCT-9P114, Socket
D5621	22380044	RBV-1506	P5612	260224	CP-1S, Clamp
D5641, D5642	223163 or	1SS133 or	DSP CIRCUIT PC BOARD (NADG-6608-1A/1B)		
D5645, D5646	223205	1SS270A	CIRCUIT NO.	PART NO.	DESCRIPTION
				ICs	
L5001, L5101	231176S	S-1.3C <P/T/W>	Q1001	222740046R2TO	TC74HCU04F
L5401	231176S	S-1.3C <P/T/W>	Q1002	22241416	LC7824
			Q101, Q102	22241383R2	NJM4565M-D
C5011, C5012	354781009	10 μ F, 50V, Elect.	Q103	22241361R2	AK5383VS
C5013, C5113	374721034	0.01 μ F $\pm 5\%$, 50V, Plastic	Q104	22274157ER2TO	TC74VHC157FT
C5014, C5114	374724734	0.047 μ F $\pm 5\%$, 50V, Plastic	Q114	22241338R2	AK4110VF
C5023, C5123	354781009	10 μ F, 50V, Elect.	Q115	222740046R2TO	TC74HCU04F
C5111, C5112	354781009	10 μ F, 50V, Elect.	Q116	22274074ER2TO	TC74VHC74FT
C5411, C5412	354781009	10 μ F, 50V, Elect.	Q701	22241358R9	CS492505-CL
C5413	374721034	0.01 μ F $\pm 5\%$, 50V, Plastic	Q707	22241340R9	CS492604-CL
C5414	374724734	0.047 μ F $\pm 5\%$, 50V, Plastic	Q708, Q709	22274574ER2TO	TC74VHC574FT
C5423	354781009	10 μ F, 50V, Elect.	Q710	22241362R2	LC372100PF10-K35-TLM
C5623, C5624	3504352	18000 μ F, 71V, Elect.	Q711	22274157ER2TO	TC74VHC157FT

NOTE: THE COMPONENTS IDENTIFIED BY MARK
 ▲ ARE CRITICAL FOR RISK OF FIRE AND
 ELECTRIC SHOCK. REPLACE ONLY WITH
 PART NUMBER SPECIFIED.

CIRCUIT NO.	PART NO.	DESCRIPTION
	ICs	
Q713	22274244ER2TO	TC74VHC244FT
Q714	22274153ER2TO	TC74VHC153FT
Q715	22241219R3	DSPF56009FJ88
Q716	22241366R9	TC58128BJ-12
Q717,Q718	22274153ER2TO	TC74VHC153FT
Q801-Q804	22241360R2	AK4393VF
Q813-Q816	22241409R2	BA15532F
	Photo couplers	
U1001	24120031	TOTX178A
U1003,U1004	24120037	TORX178A
	Crystal	
X101	3010320	AT-49 12.288MHz
	Diodes	
D1002,D1003	224490330R2	UDZ3.3B
D101-D112	223234R2 or	1SS352 or
D701,D702	223233R1	1SS355
	Coils	
L1001	231237K470R2	NCH-1479
L1002,L1003	231237M022R2	NCH-1471
L101	231237M022R2	NCH-1471
L103	230921R2	BLM21B222SPT
L108-L110	231237M022R2	NCH-1471
L701,L702	231237M022R2	NCH-1471 <P/T/W>
L703-L706	231237M022R2	NCH-1471
L707	231237M022R2	NCH-1471 <P/T/W>
L801,L802	231237M022R2	NCH-1471
R117,R118	230948R2	BLM21A102F
R122,R125	230921R2	BLM21B222SPT
R127,R131	230921R2	BLM21B222SPT
R797,R798	230948R2	BLM21A102F
	Capacitors	
C1005	356724709R2	47 μ F,6.3V,Elect.
C101,C102	356724709R2	47 μ F,6.3V,Elect.
C107-C110	356741009R2	10 μ F,16V,Elect.
C118	356724709R1	47 μ F,6.3V,Elect.
C120,C148	356724709R2	47 μ F,6.3V,Elect.
C158	356724709R2	47 μ F,6.3V,Elect.
C719	356721019R2	100 μ F,6.3V,Elect.
C734,C735	356724709R1	47 μ F,6.3V,Elect. <P/T/W>
C737,C738	356724709R2	47 μ F,6.3V,Elect.
C742	356724709R2	47 μ F,6.3V,Elect.
C801-C804	356724709R2	47 μ F,6.3V,Elect.
C814,C816	356724709R2	47 μ F,6.3V,Elect.
C818,C820	356724709R2	47 μ F,6.3V,Elect.
C821,C823	356724709R2	47 μ F,6.3V,Elect.
C825,C827	356724709R2	47 μ F,6.3V,Elect.
C831,C832	356741009R2	10 μ F,16V,Elect.
C841-C846	356741009R2	10 μ F,16V,Elect.
	Terminals	
P1001,P1002	25045473	NPJ-1PDBL291
	Sockets	
P701	25051442	NSCT-20P1229
P702,P801	25051438	NSCT-16P1225
P803	25051430	NSCT-8P1217

PRIMARY CIRCUIT PC BOARD (NAPS-6610-1A/1B/1C/1E)

CIRCUIT NO.	PART NO.	DESCRIPTION
	Transistor	
Q921	2213640 or 2215830	DTC123JS or NP KRC105M
	Diodes	
D921-D924	22380035, 22380032 or 22380260	GP104003E, 1SR139-100 or RL1N4003

CIRCUIT NO.	PART NO.	DESCRIPTION
	Diodes	
D925	223163 or 223205	1SS133 or 1SS270A
	Power transformer	
T902	2300670A ▲	NPT-1111D <D>
	2300671A ▲	NPT-1111P <P/T>
	2300672A ▲	NPT-1111DG <W>
	Capacitors	
C901	3500196S	RE275V-103M
C922	354742219	220 μ F,16V,Elect.
	Resistors	
R901	431533355 ▲	RC1/2GFKUL-3.3M,Solid <D>
R921	453530824	8.2 Ω =5%,1/2W,Metal
	Relay	
RL901	25065584, ▲	NRL-1P10A-DC12-140,
	25065248, ▲	NRL-1P15A-DC12-29,
	25065516 or ▲	NRL-1P10A-DC12-097 or
	25065588 ▲	NRL-1P10A-DC12-143 <D/W>
	25065561, ▲	NRL-1P15A-DC12-127,
	25065508, ▲	NRL-1P10A-DC12-093,
	25065515 or ▲	NRL-1P15A-DC12-096 or
	25065526 ▲	NRL-1P15A-DC12-102 <P/T>
	Switch	
S901	25065437 ▲	NSS-22157P <W>
	Fuse holders	
F911,F912	250113 ▲	SN5051 <D/W>
F915,F916	25052133 ▲	NSCT-1P2031 <P/W/T>
F917,F918	25052133 ▲	NSCT-1P2031 <P/T>
	Plug	
P901a	25055675 ▲	NPLG-2P631
	Sockets	
JL9051b	25050267	NSCT-3P95
P902	25051126 ▲	NSCT-4P913 <D>
	25051125 ▲	NSCT-4P912 <P/T/W>
	Fuses	
F901	252196 ▲	12A-UL/T-314Fuse <D/W>
F902	252079 or ▲	6.3A-SE-EAK or
	252245 ▲	6.3A-SE-TL250V,Fuse <P/T/W>
F903	252241 or ▲	2.5A-SE-TL250V or
	252075 ▲	2.5A-SE-EAK,Fuse <P/T>

INPUT TERMINAL PC BOARD (NAAF-6611-1A/1B/1C/1E)

CIRCUIT NO.	PART NO.	DESCRIPTION
	ICs	
Q301	22240829	TC9274N-008
Q302	22240799	TC9163AN
Q311	22240191	NJM4565D-D
	Capacitors	
C341,C343	354744709	47 μ F,16V,Elect.
C344,C346	354744709	47 μ F,16V,Elect.
C349,C351	353744709	47 μ F,16V,Elect.
C353,C354	393884707	47 μ F,50V,Elect.
C357,C358	393884707	47 μ F,50V,Elect.
	Sockets	
P301b	25051438	NSCT-16P1225
P302b	25051429	NSCT-7P1216
	Plug	
P303b	25055234	NPLG-3P218
	Terminals	
P304,P305	25045571 or 25045300	NPJ-6PDRW386 or NPJ-6PDBL159
P307	25045575 or 25045303	NPJ-4PDRW389 or NPJ-4PDBL162

NOTE: THE COMPONENTS IDENTIFIED BY MARK
 Δ ARE CRITICAL FOR RISK OF FIRE AND
 ELECTRIC SHOCK. REPLACE ONLY WITH
 PART NUMBER SPECIFIED.

FRONT VIDEO TERMINAL PC BOARD (NAETC-6612-1A/1B/1C/1E)			CIRCUIT NO.	PART NO.	DESCRIPTION
CIRCUIT NO.	PART NO.	DESCRIPTION			
P212	25051961	NSCT-4P1748,Socket <D/P>	D8501,D8505	223163 or	1SS133 or
	25051749	NSCT-4P1536,Socket <T/W>		223205	1SS270A
P213	25045405	NPJ-3PDBL230,Terminal <D/P>	D8502	225290	SEL4110R,LED
	25045402	NPJ-3PDBL227,Terminal <T/W>	D8504	224470823	MTZJ8.2C,Zener
P204a	2009990434UL	NSAS-10P0578,Socket		Capacitors	
P303a	2009990513UL	NSAS-6P0675,Socket	C8515	354721019	100 μ F,6.3V,Elect.
			C8506	354741009	10 μ F,16V,Elect.
			C8518	354780109	1 μ F,50V,Elect.
			C8510	354781009	10 μ F,50V,Elect.
			C8514	375524744	0.47 μ F±5%,50V,Plastic
				Resistor	
			R8542	49163103415	RM1/10II-10K*15,Array
				Switches	
			S8501-S8531	25035652	NPS-111-S604,Push
			S8532	25065507	EC11B15244,Rotary
				Sockets	
			JL8501A	25051109	NSCT-5P896
			JL8502A	25051107	NSCT-3P894
			P8501	25052071,	NSCT-25P1858,
				25050965,	NSCT-25P752,
				25051329,	NSCT-25P1118,
				25051869 or	NSCT-25P1656 or
				25052258	NSCT-25P2155
				Holder	
			Q8501A	27191074	(FL)
SURROUND/FRONT B SPEAKER TERMINAL PC BOARD (NAETC-6614-1A/1B/1C/1E)					
CIRCUIT NO.	PART NO.	DESCRIPTION			
				Capacitors	
C5219,C5221	374721034	0.01 μ F±5%,50V,Plastic <P/T/W>	R8542	49163103415	RM1/10II-10K*15,Array
C5261,C5262	374724734	0.047 μ F±5%,50V,Plastic		Switches	
C5319,C5321	374721034	0.01 μ F±5%,50V,Plastic <P/T/W>	S8501-S8531	25035652	NPS-111-S604,Push
C5361,C5362	374724734	0.047 μ F±5%,50V,Plastic	S8532	25065507	EC11B15244,Rotary
				Resistors	
R5261,R5262	453630824	8.2 Ω±5%,1W,Metal	JL8501A	25051109	NSCT-5P896
R5361,R5362	453630824	8.2 Ω±5%,1W,Metal	JL8502A	25051107	NSCT-3P894
			P8501	25052071,	NSCT-25P1858,
				25050965,	NSCT-25P752,
				25051329,	NSCT-25P1118,
				25051869 or	NSCT-25P1656 or
				25052258	NSCT-25P2155
				Terminal	
P5636	25060292	NTM-8PDMN223		Sockets	
				Plugs	
P5634b	25055167	NPLG-4P151			
P5635b	25055165	NPLG-2P149			
FRONT/CENTER SPEAKER TERMINAL PC BOARD (NAETC-6615-1A/1B/1C/1E)					
CIRCUIT NO.	PART NO.	DESCRIPTION			
				Capacitors	
C5019,C5119	374721034	0.01 μ F±5%,50V,Plastic <P/T/W>		ICs	
C5061,C5161	374724734	0.047 μ F±5%,50V,Plastic	Q215-Q218	22241347	NJM2296D
C5419	374721034	0.01 μ F±5%,50V,Plastic <P/T/W>	Q219	22240800	TC9164AN
C5461	374724734	0.047 μ F±5%,50V,Plastic		Transistors	
			Q201-Q208	2213631 or	RN1241-A or
R5061,R5161	453630824	8.2 Ω±5%,1W,Metal	Q211-Q214	2213632	RN1241-B
R5461	453630824	8.2 Ω±5%,1W,Metal		Capacitors	
			C232,C233	354744719	470 μ F,16V,Elect.
				Plug	
P5632	25060291	NTM-6PDMN222	P202B	25055236	NPLG-5P220
				Sockets	
P5631b	25055169	NPLG-6P153	JL201A	25051093	NSCT-9P880
			JL202A	25051094	NSCT-10P881
			P201B	25051428	NSCT-6P1215
			P205,P206	25051568	NSCT-12P1355
			P207	25051750	NSCT-4P1537
POWER SWITCH PC BOARD (NAETC-6619-1A/1B/1C/1E)					
CIRCUIT NO.	PART NO.	DESCRIPTION			
C906	3500196S	△ RE275V-103M,Capacitor IS			
S906	25035550	△ NPS-111-L512P,Switch			
DISPLAY CIRCUIT PC BOARD (NADIS-6621-1A/1B/1C)					
CIRCUIT NO.	PART NO.	DESCRIPTION			
				ICs	
Q8501	212199	16-BT-66GK	Q220	22241037	LC74761-9189
			Q223,Q224	22241347	NJM2296D
Q8503	22240685R9	M66004FP		Transistors	
			Q221	2212115,	2SC2458-GR,
U8501	241330	PIC-26043TE2		2213284 or	2SC1740S-R or
				2215864	NP KTC3199-GR
Q8502,Q8505	2212115,	2SC2458-GR,	Q222	2212125,	2SA1048-GR
	2213284 or	2SC1740S-R or		2213354 or	2SA933S-R
	2215864	NP KTC3199-GR		2215975	NP KTA1266-GR
Q8504	2213510,	DTA114ES,	Q225-Q230	2213631 or	RN1241-A or
	2214350 or	RN2202 or		2213632	RN1241-B
	2215770	NP KRA102M		Diodes	
Q8507	221282,	DTC144ES,	D213-D215	223163 or	1SS133 or
	2213560 or	RN1204 or		223205	1SS270A
	2215820	NP KRC104M		Crystals	
			X201	3010167	XTL-14.32M
			X202	3010238	XTL-17.73M <P/T/W>
ON-SCREEN PC BOARD (NAVD-6623-1A/1B/1C)					
CIRCUIT NO.	PART NO.	DESCRIPTION			
				ICs	
Q220	22241037	LC74761-9189		Transistors	
Q223,Q224	22241347	NJM2296D			
			Q221	2212115,	2SC2458-GR,
				2213284 or	2SC1740S-R or
				2215864	NP KTC3199-GR
			Q222	2212125,	2SA1048-GR
				2213354 or	2SA933S-R
				2215975	NP KTA1266-GR
			Q225-Q230	2213631 or	RN1241-A or
				2213632	RN1241-B
				Diodes	
			D213-D215	223163 or	1SS133 or
				223205	1SS270A
				Crystals	
			X201	3010167	XTL-14.32M
			X202	3010238	XTL-17.73M <P/T/W>

NOTE: THE COMPONENTS IDENTIFIED BY MARK
 Δ ARE CRITICAL FOR RISK OF FIRE AND
 ELECTRIC SHOCK. REPLACE ONLY WITH
 PART NUMBER SPECIFIED.

CIRCUIT NO.	PART NO.	DESCRIPTION	CIRCUIT NO.	PART NO.	DESCRIPTION
	Coils			Diodes	
L201	233454J056	NCH-1452 056J	D8003,D8007	224490560R2	UDZ5.6B,Zener
L202	233454K220	NCH-1452 220K	D8101,D8102	223234R2 or 223233R1	1SS352 or 1SS355
	Capacitors			Coils	
C208,C219	354721019	100 μ F,6.3V,Elect.	D9051	22380022F	RBV402
C210,C221	375524744	0.47 μ F±5%,50V,Plastic	D9058	224493300R2	UDZ33B,Zener
C211	354784799	0.47 μ F,50V,Elect.			
C214	374722234	0.022 μ F±5%,50V,Plastic	L2001	231237K220R2	NCH-1477 <P>
C215,C225	354780109	1 μ F,50V,Elect.	L8001	231237K220R2	NCH-1477
C216	374726824	6800pF±5%,50V,Plastic	R8034,R8036	230948R2	BLM21A102F
C217	374721224	1200pF±5%,50V,Plastic		Oscillators	
C218	354783399	0.33 μ F,50V,Elect.	X2001	3010203	AF6146CG,Crystal <P>
C223,C226	354721019	100 μ F,6.3V,Elect.	X8001	3010322	CST16.00MXWC1,Ceramic
C224	354724719	470 μ F,6.3V,Elect.		Capacitors	
C227	354744709	47 μ F,16V,Elect.	C2001	354784799	0.47 μ F,50V,Elect.
C230,C231	354744719	470 μ F,16V,Elect.	C2002	354780339	3.3 μ F,50V,Elect.
	Terminals		C2006,C2008	354721019	100 μ F,6.3V,Elect. <P>
P209	25045339	NPJ-4PDYE190	C2007	374725614	560pF±5%,50V,Plastic <P>
P210	25045299	NPJ-3PDYE158	C2012,C2013	374721824	1800pF±5%,50V,Plastic <W>
	Switch		C6071,C6171	354741009	10 μ F,16V,Elect.
S201	25065581	NSS-22203	C6072,C6172	354721019	100 μ F,6.3V,Elect.
	Sockets		C6073-C6075	354741009	10 μ F,16V,Elect.
JL201B	25051093	NSCT-9P880	C6173,C6175	354741009	10 μ F,16V,Elect.
JL202B	25051094	NSCT-10P881	C8001,C8002	354721019	100 μ F,6.3V,Elect.
P203B	25051431	NSCT-9P1218	C8003	354780109	1 μ F,50V,Elect.
			C8007	3000078	DX-5R5L104,Super
			C8008	375524744	0.47 μ F±5%,50V,Plastic
			C8011	354780339	3.3 μ F,50V,Elect.
			C8013	354741009	10 μ F,16V,Elect.
			C9053	354744729	4700 μ F,16V,Elect.
			C9054	354741029	1000 μ F,16V,Elect.
			C9056	354724719	470 μ F,6.3V,Elect.
			C9058,C9060	354741009	10 μ F,16V,Elect.
			C9062,C9064	354741009	10 μ F,16V,Elect.
			C9063	354780229	2.2 μ F,50V,Elect.
			C9065	354762229	2200 μ F,35V,Elect.
			C9066	354761029	1000 μ F,35V,Elect.
			C9068,C9070	354741009	10 μ F,16V,Elect.
			C9069	354780229	2.2 μ F,50V,Elect.
			C9071	354781019	100 μ F,50V,Elect.
			C9072	354771019	100 μ F,63V,Elect.
			C9076	354742229	2200 μ F,16V,Elect.
			C9078,C9080	354741009	10 μ F,16V,Elect.
				Resistors	
			R6078,R6178	453530224	2.2 Ω ±5%,1/2W,Metal
			R9051,R9052	452638294	0.82 Ω ±5%,1W,Metal
			R9053	452630154	1.5 Ω ±5%,1W,Metal <D>
			R9054	452630154	1.5 Ω ±5%,1W,Metal
			R9055	452630334	3.3 Ω ±5%,1W,Metal
			R9056	452530334	3.3 Ω ±5%,1/2W,Metal
			R9057	452530104	1 Ω ±5%,1/2W,Metal
			R9058,R9059	452630474	4.7 Ω ±5%,1W,Metal
			R9060,R9066	452530474	4.7 Ω ±5%,1/2W,Metal
			R9061,R9062	452530824	8.2 Ω ±5%,1/2W,Metal
			R9067,R9068	442621014	100 Ω ±5%,1W,Metal oxide
			R9069	442521204	12 Ω ±5%,1/2W,Metal oxide
			R9070	452630684	6.8 Ω ±5%,1W,Metal
				Fuse Labels	
			F941A,F942A	29361747	T2.5AL250V <P/T/W>
				Fuse holders	
			F943-F946	25052133	NSCT-1P2031
				Sockets	
D8001	22380260,	RL1N4003,	JL5623A	25051091	NSCT-7P878
D9052-D9057	22380032 or	1SR139-100 or	JL9C51A	25051107	NSCT-3P894
D9059-D9061	22380035	GP:04003E	JL9A2A	25051113	NSCT-9P900
D8002	223234R2 or	1SS352 or			
D804-D806	223233R1	1SS355			

NOTE: THE COMPONENTS IDENTIFIED BY MARK
 Δ ARE CRITICAL FOR RISK OF FIRE AND
 ELECTRIC SHOCK. REPLACE ONLY WITH
 PART NUMBER SPECIFIED.

CIRCUIT NO.	PART NO.	DESCRIPTION	CIRCUIT NO.	PART NO.	DESCRIPTION
	Plugs			Capacitors	
P201A	25055785	NPLG-6P741	C3053,C3054	354784709	47 μ F,50V,Elect.
P203A	25055788	NPLG-9P744	C3063,C3064	354784709	47 μ F,50V,Elect.
P3012A,P3013A	25055799	NPLG-20P755	C3067,C3077	374726224	6200pF±5%,50V,Plastic
P301A,P702A	25055795	NPLG-16P751	C3068,C3078	374721824	1800pF±5%,50V,Plastic
P302A	25055786	NPLG-7P742	C3069,C3070	354741009	10 μ F,16V,Elect.
P701A	25055799	NPLG-20P755	C3073,C3074	354784709	47 μ F,50V,Elect.
P8002A	25052024,	NSCT-15P1811,	C3079,C3080	354741009	10 μ F,16V,Elect.
	25050955,	NSCT-15P742,	C3093,C3094	354741009	10 μ F,16V,Elect.
	25051281,	NSCT-15P1070,	C3097,C3098	354721019	100 μ F,6.3V,Elect.
	25051822 or	NSCT-15P1609 or	C3251,C3351	374722224	2200pF±5%,50V,Plastic <P/T/W>
	25052211	NSCT-15P2108	C4005,C4105	374721244	0.12 μ F±5%,50V,Plastic
P8003A	25055789	NPLG-10P745	C4006,C4106	374724734	0.047 μ F±5%,50V,Plastic
P801A	25055795	NPLG-16P751	C4602,C4604	354741009	10 μ F,16V,Elect.
P803A	25055787	NPLG-8P743	C6051,C6151	374721015	100pF±10%,50V,Plastic
	Terminals		C6604	354781009	10 μ F,50V,Elect.
P8203	25045504	NPJ-1PDBL319,RI	C7001,C7002	393884707	47 μ F,50V,Elect.
P8501A	25052034,	NSCT-25P1821,	C7003,C7004	354744709	47 μ F,16V,Elect.
	25050965,	NSCT-25P752,	C7011,C7111	354741009	10 μ F,16V,Elect.
	25051291,	NSCT-25P1080,	C7013,C7113	354780229	2.2 μ F,50V,Elect.
	25051832 or	NSCT-25P1619 or	C7015,C7024	393884707	47 μ F,50V,Elect.
	25052221	NSCT-25P2118	C7033,C7034	374721534	0.015 μ F±5%,50V,Plastic
	Fuses		C7035,C7036	374724724	4700pF±5%,50V,Plastic
F941,F942	252160	Δ 2.5A-UL/T-237,Fuse <D>	C7039,C7040	374721234	0.012 μ F±5%,50V,Plastic
	252241 or	Δ 2.5A-SE-TL250V or	C7041,C7042	374728234	0.082 μ F±5%,50V,Plastic
	252075	Δ 2.5A-SE-EAK, Fuse <P/T/W>	C7045,C7046	354744709	47 μ F,16V,Elect.
	Screws		C7051,C7151	374725614	560pF±5%,50V,Plastic <P/T/W>
Q9051B,Q9052B	82143010	3P+10FN(BC),Pan head	C7115,C7124	393884707	47 μ F,50V,Elect.
Q9054B,Q9055B	82143010	3P+10FN(BC),Pan head	C7201,C7203	354744709	47 μ F,16V,Elect.
	Switch		C7202,C7205	354784709	47 μ F,50V,Elect.
S2001	25065414	NSS-22155 <W>	C7204,C7206	354741009	10 μ F,16V,Elect.
	Heatinks		C7211,C7311	354741009	10 μ F,16V,Elect.
Q9054A,Q9055A	27160391		C7213,C7313	354744709	47 μ F,16V,Elect.
Q9051A,Q9052A	27160209	RAD-67	C7401,C7402	354744709	47 μ F,16V,Elect.
			C7403,C7404	354784709	47 μ F,50V,Elect.
			C7411,C7511	354741009	10 μ F,16V,Elect.
			C7413,C7513	354780229	2.2 μ F,50V,Elect.
			C7415,C7515	354744709	47 μ F,16V,Elect.
			C7422,C7522	393884707	47 μ F,50V,Elect.
			C7431	374721534	0.015 μ F±5%,50V,Plastic
			C7432	374724724	4700pF±5%,50V,Plastic
			C7434,C7534	374721234	0.012 μ F±5%,50V,Plastic
			C7435	374728234	0.082 μ F±5%,50V,Plastic
			C7451,C7551	374722224	2200pF±5%,50V,Plastic <P/T/W>
			C7524	374722734	0.027 μ F±5%,50V,Plastic
			C7534	374721234	0.012 μ F±5%,50V,Plastic
			C7535	374728234	0.082 μ F±5%,50V,Plastic
			Terminals		
			P3051	25045572	NPJ-6PDBRW387
			P3052	25045300	NPJ-6PDBL159
			P7051	25045572	NPJ-6PDBRW387
			Plug		
			P3011B	25055139	NPLG-9P123
			Sockets		
			P3012B,P3013B	25051442	NSCT-20P1229
PREAMPLIFIER PC BOARD (NAAF-6628-1A/1B/1C/1D)					
CIRCUIT NO.	PART NO.	DESCRIPTION			
	ICs				
Q3051,Q3061	22241383R2	NJM4565M-D			
Q3071,Q3091	22241383R2	NJM4565M-D			
Q4001,Q4101	22241383R2	NJM4565M-D			
Q4201,Q4301	22241383R2	NJM4565M-D			
Q4601	22240786	TC9274N-006			
Q4602	22241221R2	TC9164AF			
Q7001,Q7201	22241220R2	TC9459F			
Q7011,Q7021	22241383R2	NJM4565M-D			
Q7031,Q7431	22241253	TC9184AP			
Q7041	22240025	LC4966			
Q7211	22241383R2	NJM4565M-D			
Q7401	22241220R2	TC9459F			
Q7411,Q7421	22241383R2	NJM4565M-D			
	Transistors				
Q6001,Q6002	2215410R2	RN1441			
Q6101,Q6102	2215410R2	RN1441			
Q6201-Q6203	2215410R2	RN1441			
Q6301-Q6303	2215410R2	RN1441			
Q6401-Q6403	2215410R2	RN1441			
Q6501,Q6502	2215410R2	RN1441			
Q6601	2214470R2	RN1402			
Q6602	2214550R2	RN2404			
Q6605	2214470R2	RN1402			
	Diodes				
D7201,D7202	224490910R2	UDZ9.1B,Zener			

NOTE: <D>: 120V model only
 <P>: 230V model only
 <T>: Asian model only
 <W>: Worldwide model only

ADJUSTMENT AND CONFIRMATION

1. Idling current adjustment

Before Idling adjustment, turn the trimming resistors R5022, R5122, R5222, R5322 and R5422 to counter clockwise. Connect the DC voltmeter to sockets P5001, P5101, P5201, P5301 and P5401.

After turn POWER to ON, adjust the trimming resistors R5022, R5122, R5222, R5322 and R5422 so that the reading of voltmeter becomes 1.0 mV.

After adjustment, attach the top cover.

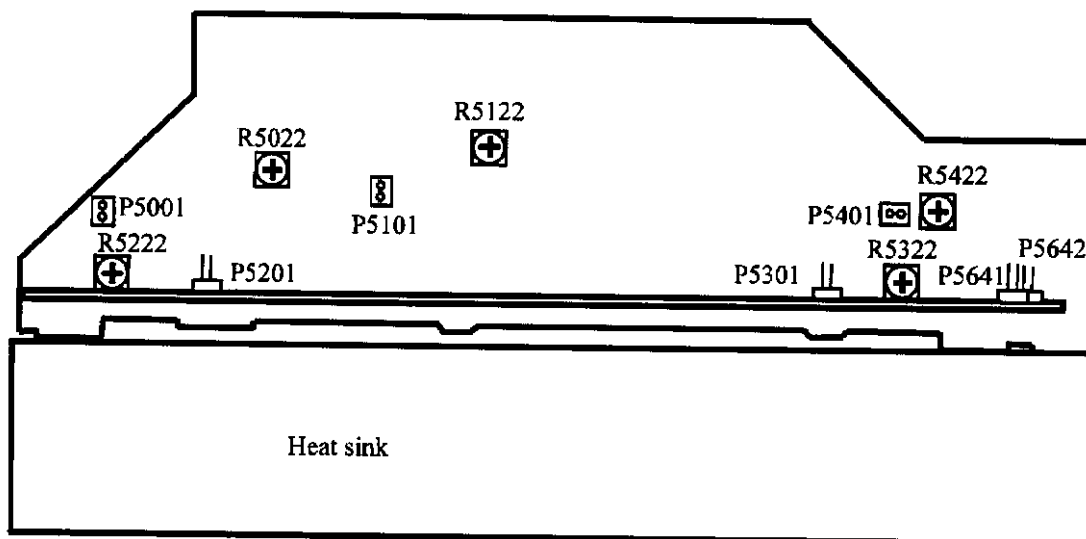
Confirm the voltage of above points after five minutes.

When less than 6 mV, readjust the above resistors so that the voltage becomes 6.0 mV.

When 6 mV to 7.5 mV, you are not necessary to adjust.

When more than 7.5 mV, readjust the above resistors so that the voltage becomes 7.5 mV.

Note: No load and No signal



Confirmation of protection circuit

1. Confirmation of speaker relay

Confirm that the speaker relay turns ON approximate 5 seconds after the power switch is turned ON.

Confirm that the speaker relay turns OFF immediately after the power switch is turned OFF.

2. Confirmation of DC detection circuit

Press and hold down CD button, then press SPEAKERS-A and SPEAKERS-B buttons at the same time.

During "TEST-1-00" on the FL tube light on and off, press PRESET/MODE ADJ button.

Apply DC 1.5~3V to MULTI CHANNEL INPUT terminals with no load.

Confirm that the speaker relay turns OFF.

Apply DC -1.5~-3V to MULTI CHANNEL INPUT terminals with no load.

Confirm that the speaker relay turns OFF.

3. Confirmation of Current detection circuit

Press and hold down CD button, then press SPEAKERS-A and SPEAKERS-B buttons at the same time.

During "TEST-1-00" on the FL tube light on and off, press PRESET/MODE ADJ button.

Connect Differentiator below and apply the 200Hz square signal to the terminal of MULTI CHANNEL INPUT.

Adjust the attenuator or Volume so that the output level becomes 35V p-p.

Confirm that the speaker relay does not turn OFF when a 3.0 ohm load is connected.

Confirm that the speaker relay turns OFF when a 1.5 ohm load is connected.

Confirmation of Fan

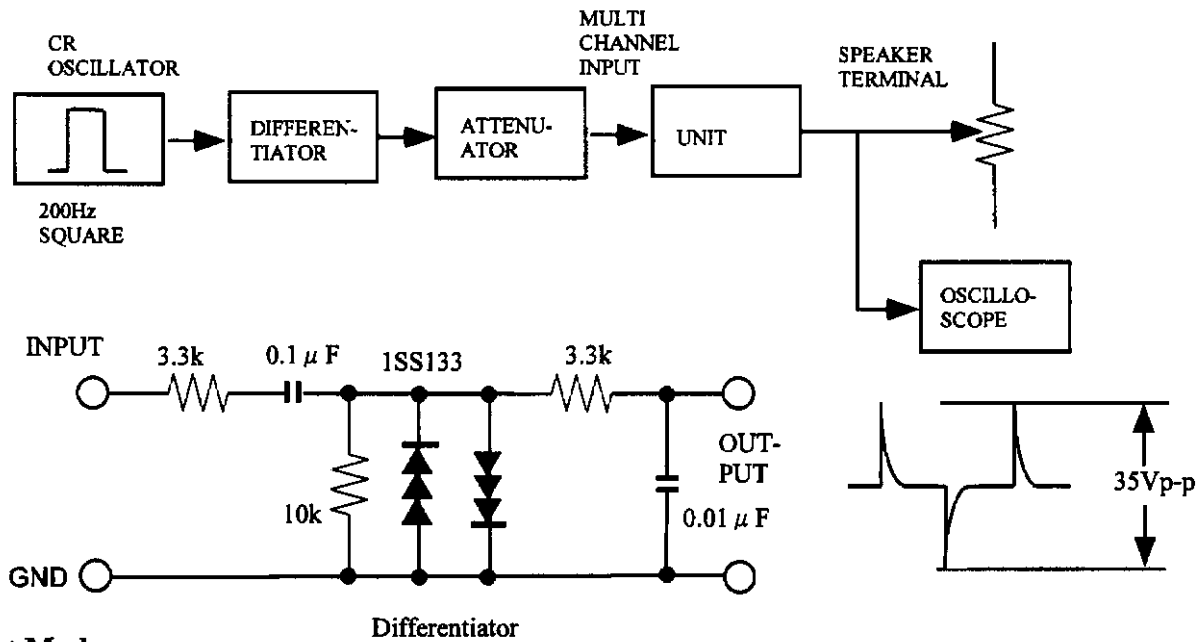
Set the unit to "TEST-1-00" and apply the signal 1kHz, -30dB (32 mV) to Multi channel inputs except Sub Woofer with no load. Confirm that the fan turns after few seconds.

Connect the 22 ohm resistor between terminal P5642 with no input.

Confirm that the fan turns after few seconds.

Confirmation of thermal detection circuit

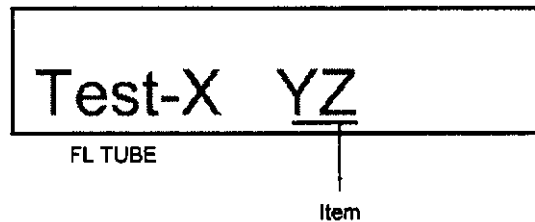
Set the unit to "TEST-1-00" and connect the 22 ohm resistor between terminal P5641.
 Confirm that "Thermal Protect" on the fluorescent tube light on.



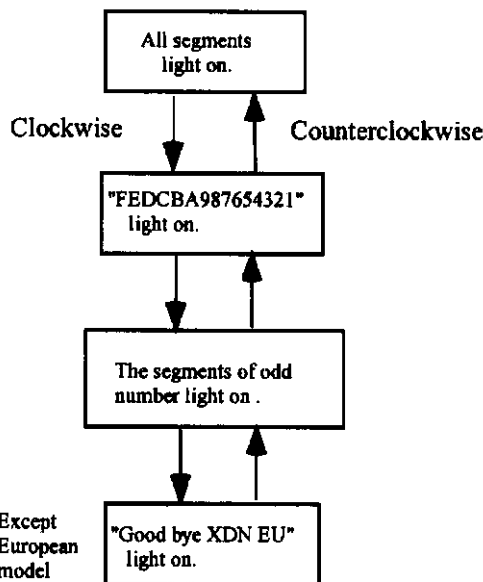
Test Mode

1. Turn POWER button on.
2. Press and hold down CD button, then press SPEAKERS-A and SPEAKERS-B buttons at the same time.
3. During "TEST-1-00" on the FL tube is displayed, press CD button to set the unit to the test mode of FL tube.

Test mode of FL tube



Turn PRESET/MODE ADJ button to change the test mode of FL tube.



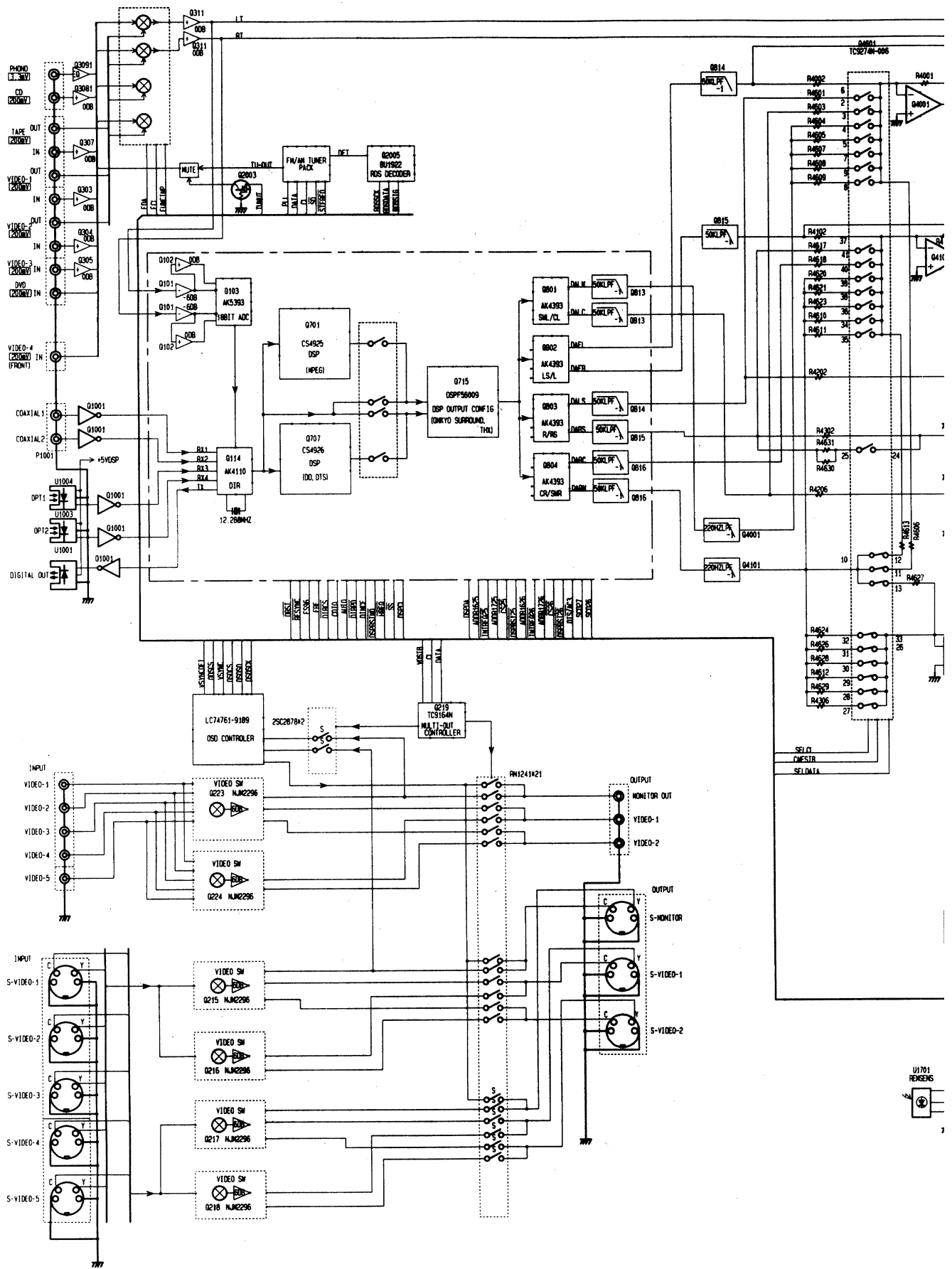
Press PRESET/MODE ADJ button to finish the test mode of FL tube.

- XDN EU
 1 2 3 4
 1. THX: 1:THX 0:None
 2. Digital output:1:Yes 0:No
 3. N: 1:NTSC/PAL: Auto PAL 0: NTSC
 4. EU:Europe US: USA SA:Saudi JP:Japan

A **B** **C** **D**

SCHEMATIC DIAGRAM 1

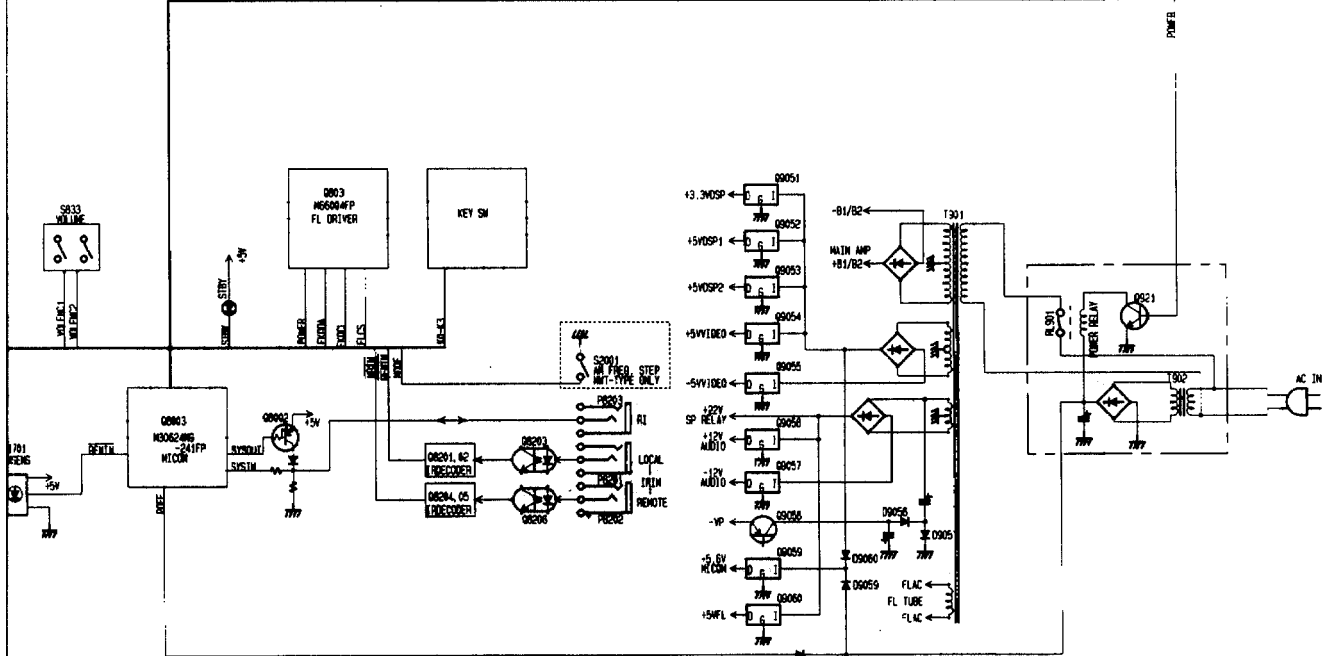
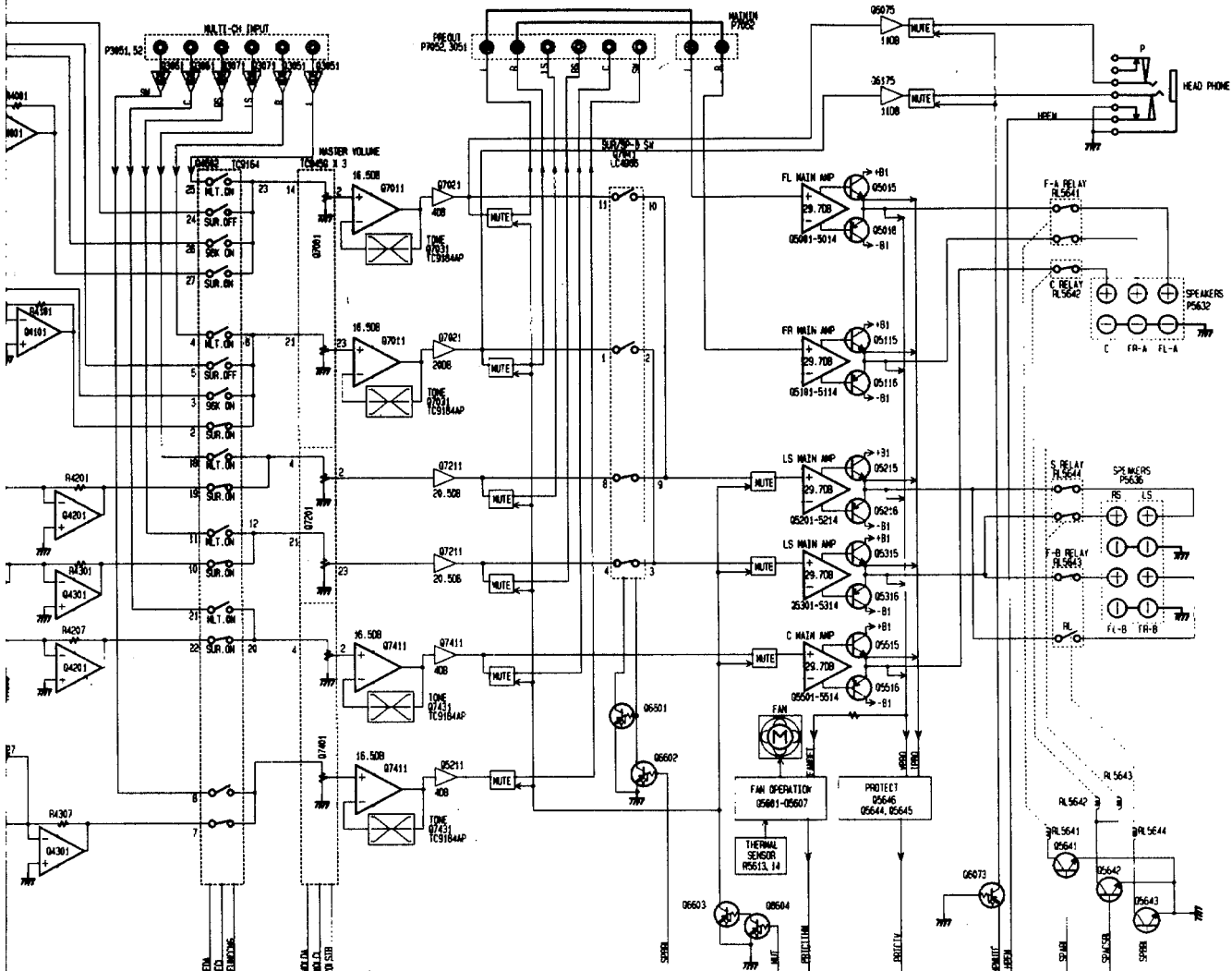
1
2
3
4
5



E

F

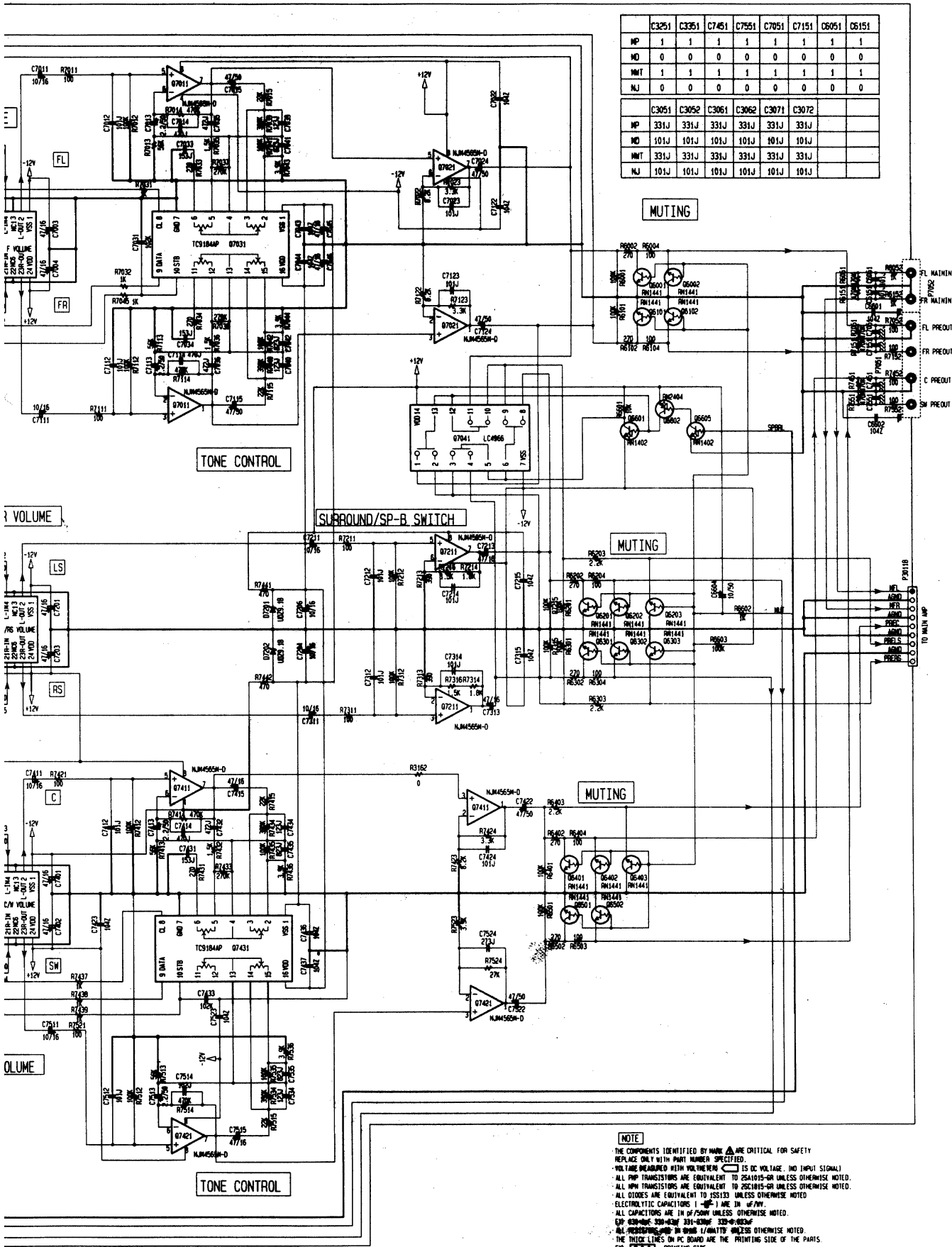
G



E

F

G



	C3251	C3351	C7451	C7551	C7051	C7151	C6051	C6151
MP	1	1	1	1	1	1	1	1
MD	0	0	0	0	0	0	0	0
MNT	1	1	1	1	1	1	1	1
NJ	0	0	0	0	0	0	0	0

	C3051	C3052	C3061	C3062	C3071	C3072
MP	331J	331J	331J	331J	331J	331J
MD	101J	101J	101J	101J	101J	101J
MNT	331J	331J	331J	331J	331J	331J
NJ	101J	101J	101J	101J	101J	101J

NOTE

THE COMPONENTS IDENTIFIED BY MARK Δ ARE CRITICAL FOR SAFETY. REPLACE ONLY WITH PART NUMBER SPECIFIED.

VOLTAGE MEASURED WITH VOLTMETER ∇ IS DC VOLTAGE, NO INPUT SIGNAL.

ALL PNP TRANSISTORS ARE EQUIVALENT TO 2SA1015-OR UNLESS OTHERWISE NOTED.

ALL NPN TRANSISTORS ARE EQUIVALENT TO 2SC1015-OR UNLESS OTHERWISE NOTED.

ALL DIODES ARE EQUIVALENT TO 1SS133 UNLESS OTHERWISE NOTED.

ELECTROLYTIC CAPACITORS (1- μ F) ARE IN μ F/VV.

ALL CAPACITORS ARE IN PF/50V UNLESS OTHERWISE NOTED.

EXP. 05/80/MS 100-400P 331-400P 330-P-824P

ALL PRESSURE POINTS IN DIMS 1/4" (MATHS) UNLESS OTHERWISE NOTED.

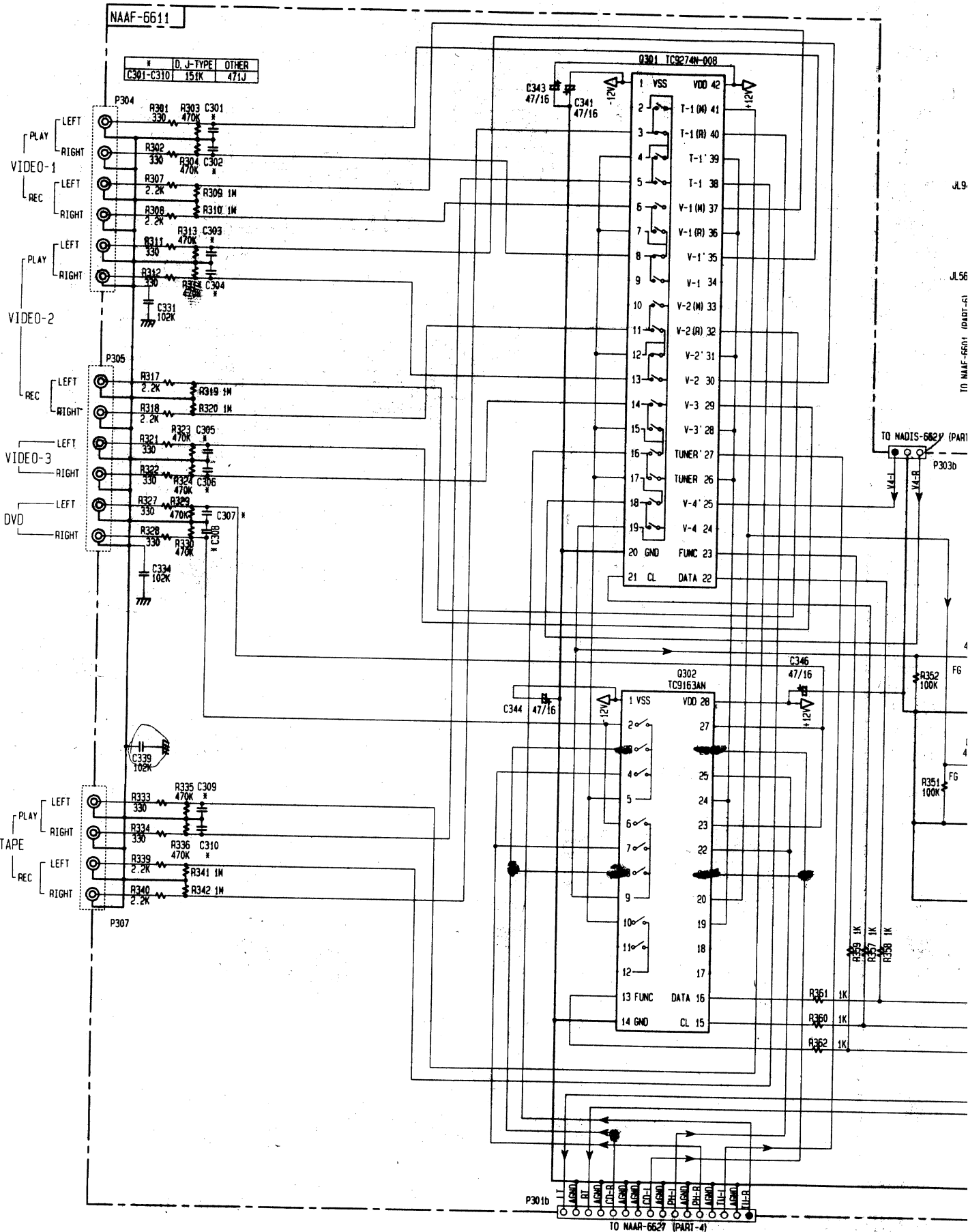
THE THICK LINES ON PC BOARD ARE THE PRINTING SIDE OF THE PARTS.

EXP. 05/80/MS 100-400P 331-400P 330-P-824P

© 1980 SONY CORP. PRINTING SIDE

CIRCUIT IS SUBJECT TO CHANGE FOR IMPROVEMENT.

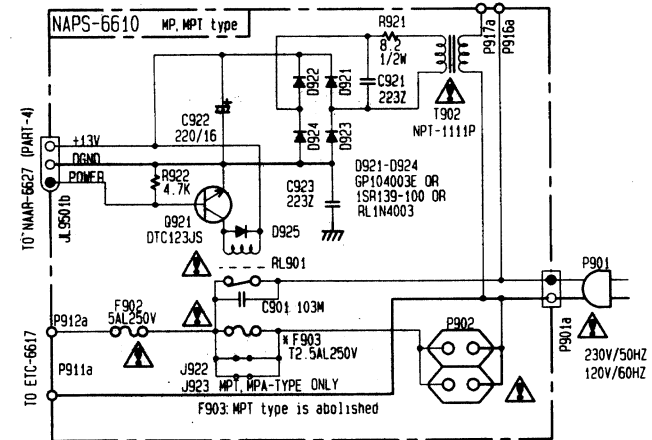
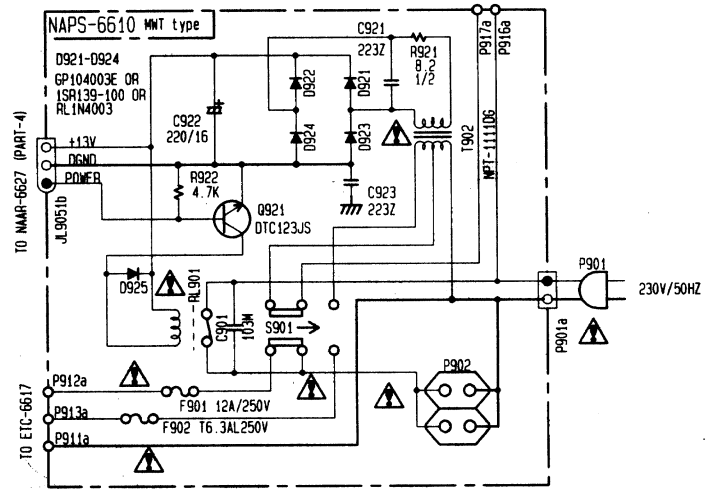
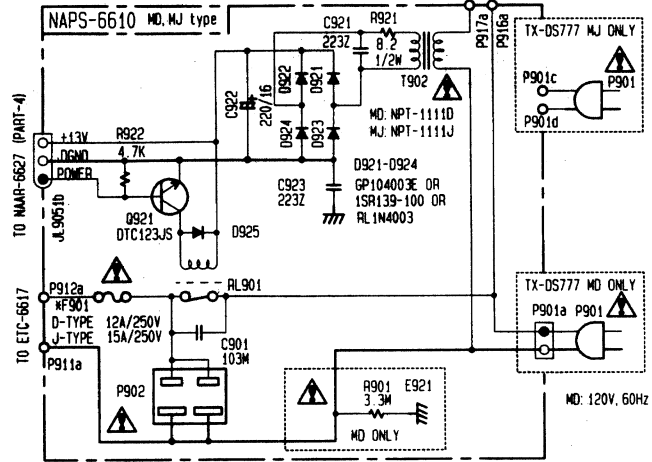
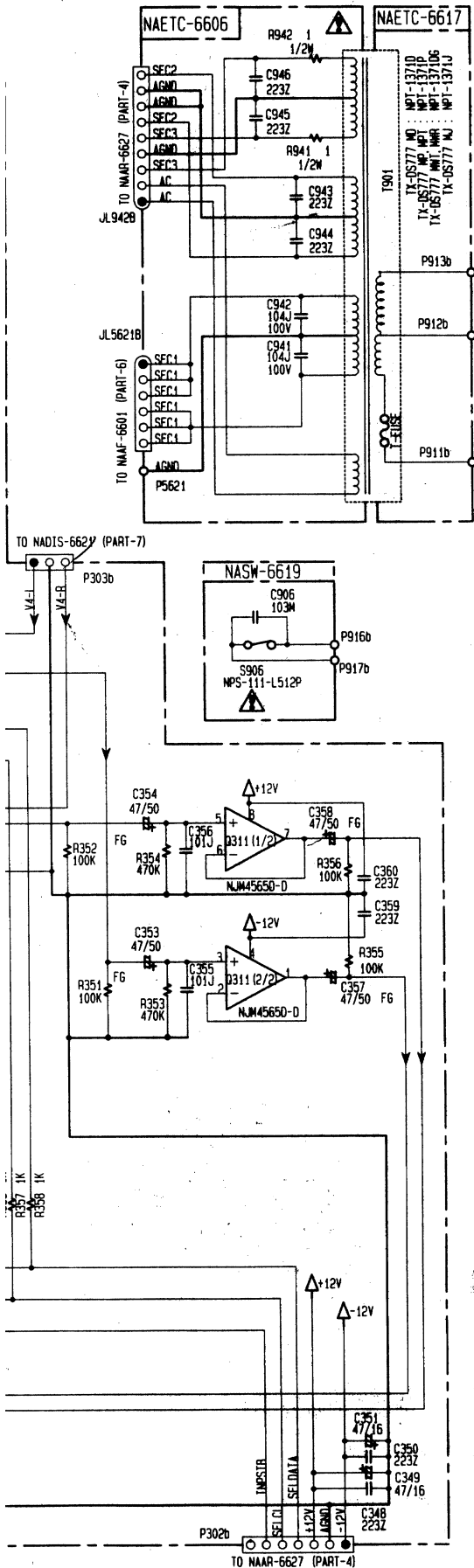
SCHEMATIC DIAGRAM 3



E

F

G



ATTENTION
 AFIN D'ASSURER UNE PROTECTION PERMANENTE CONTRE LES RISQUES D'INCENDIE, REMPLACER UNIQUEMENT PAR UN FUSIBLE DE MEME TYPE ET CALIBRATION COMME INDIQUE.

CAUTION
 FOR CONTINUED PROTECTION AGAINST FIRE HAZARD, REPLACE ONLY WITH FUSE OF SAME TYPE AND RATING INDICATED.

CE SYMBOLE INDIQUE QUE LE FUSIBLE UTILISE EST A LENT, E POUR UNE PROTECTION PERMANENTE, N'UTILISER QUE DES FUSIBLES DE MEME TYPE. CE DERNIER EST INDIQUE LA OU LE PRESENT SYMBOL EST APPOSE.

THIS SYMBOL LOCATED NEAR THE FUSE INDICATES THAT THE FUSE USED IS SLOW OPERATING TYPE FOR CONTINUED PROTECTION AGAINST FIRE HAZARD. REPLACE WITH SAME TYPE FUSE. FOR FUSE RATING REFER TO THE MARKING ADJACENT TO THE SYMBOL.

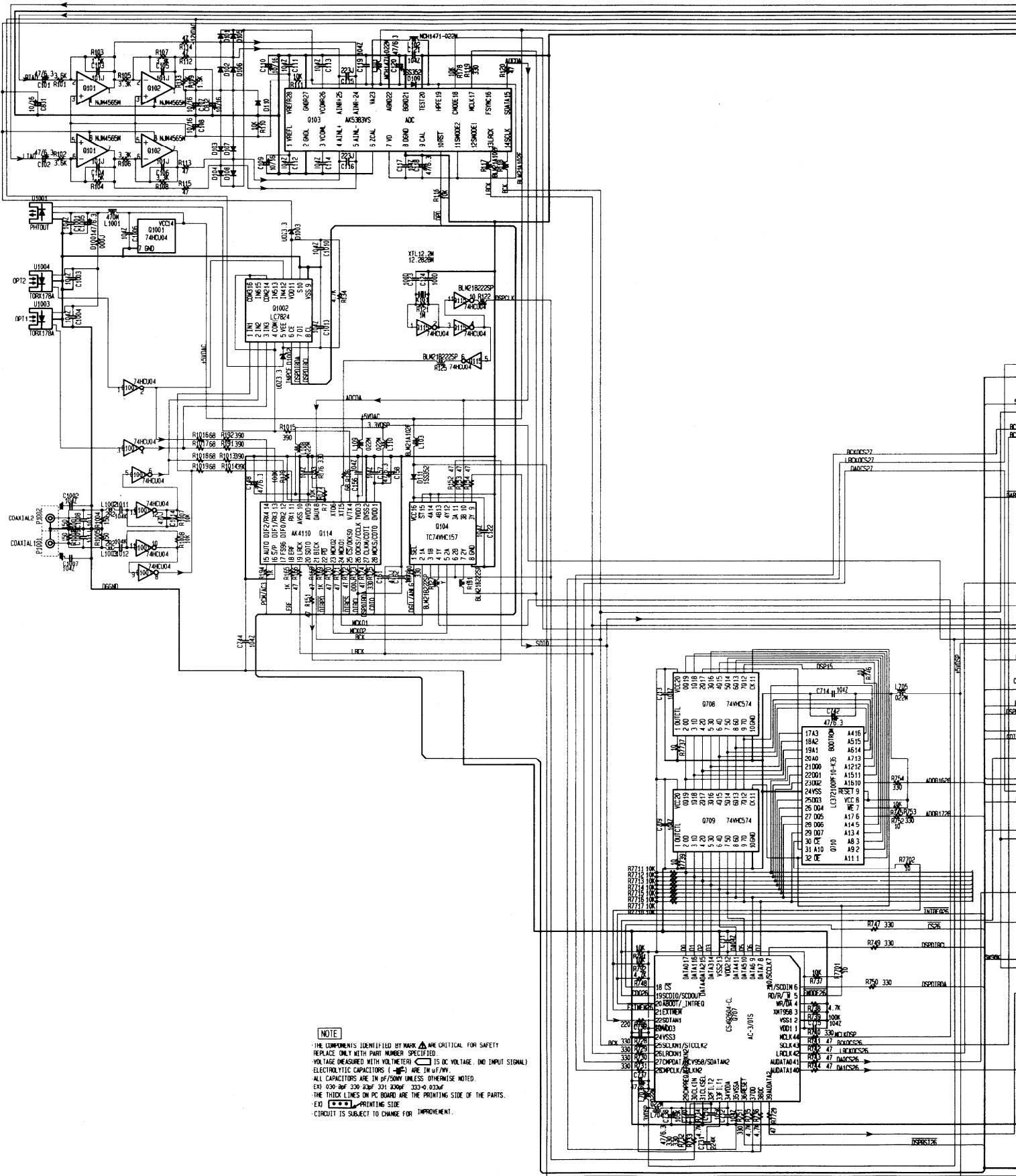
A

B

C

D

DIAGRAM 5



NOTE

THE COMPONENTS IDENTIFIED BY MARK ARE CRITICAL FOR SAFETY. REPLACE ONLY WITH PART NUMBER SPECIFIED.

VOLTAGE MEASURED WITH VOLTMETER. IS DC VOLTAGE. (NO INPUT SIGNAL)

ELECTROLYTIC CAPACITORS () ARE 10% TOLERANCE.

ALL CAPACITORS ARE IN PFD/50V UNLESS OTHERWISE NOTED.

EX: 030 20P 330 20P 031 200P 330 0.033P

THE THICK LINES ON PCB BOARD ARE THE PRINTING SIDE OF THE PARTS.

EX: PRINTING SIDE

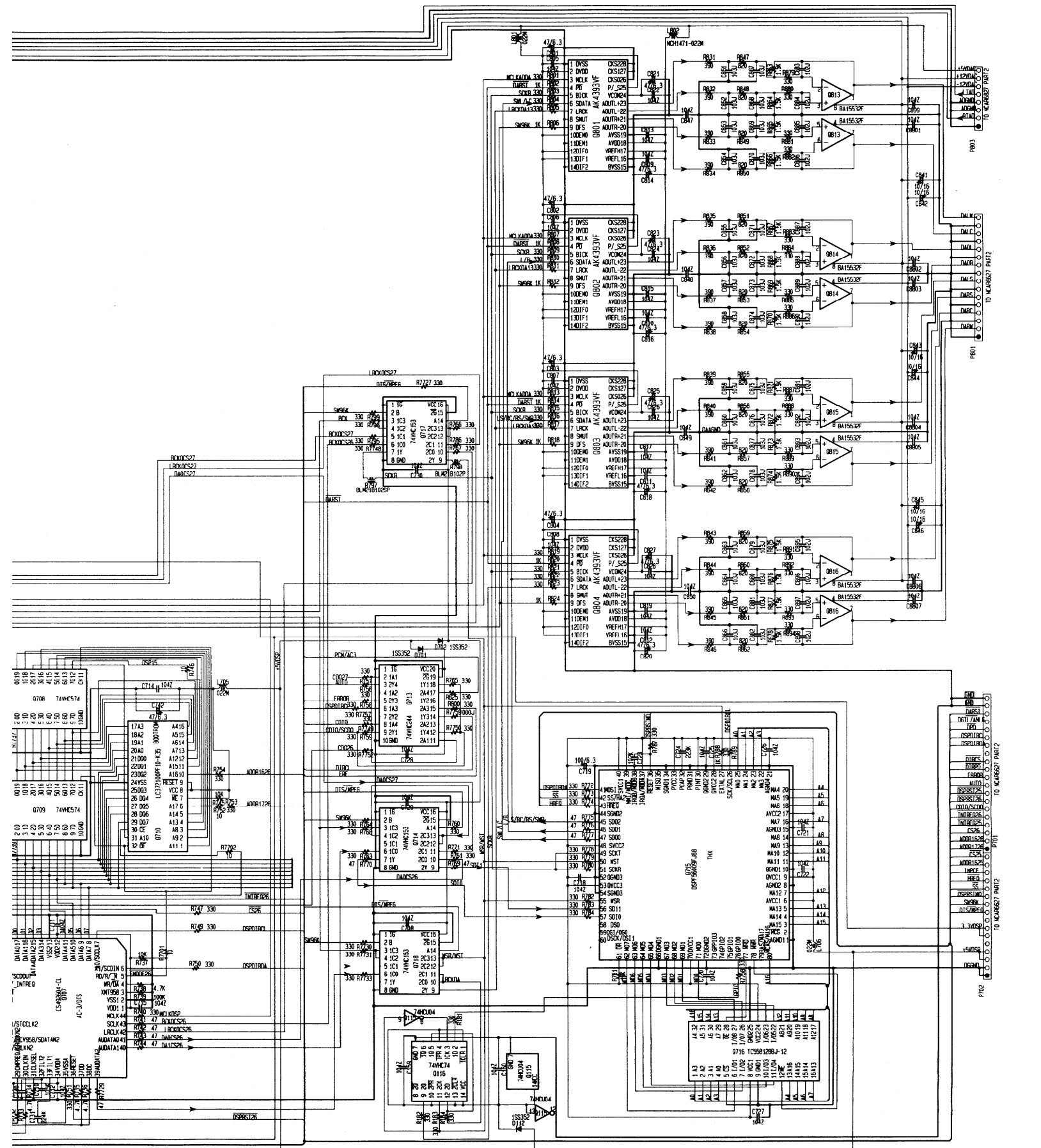
CIRCUIT IS SUBJECT TO CHANGE FOR IMPROVEMENT.

D

E

F

G



A

B

C

D

SCHEMATIC DIAGRAM 4

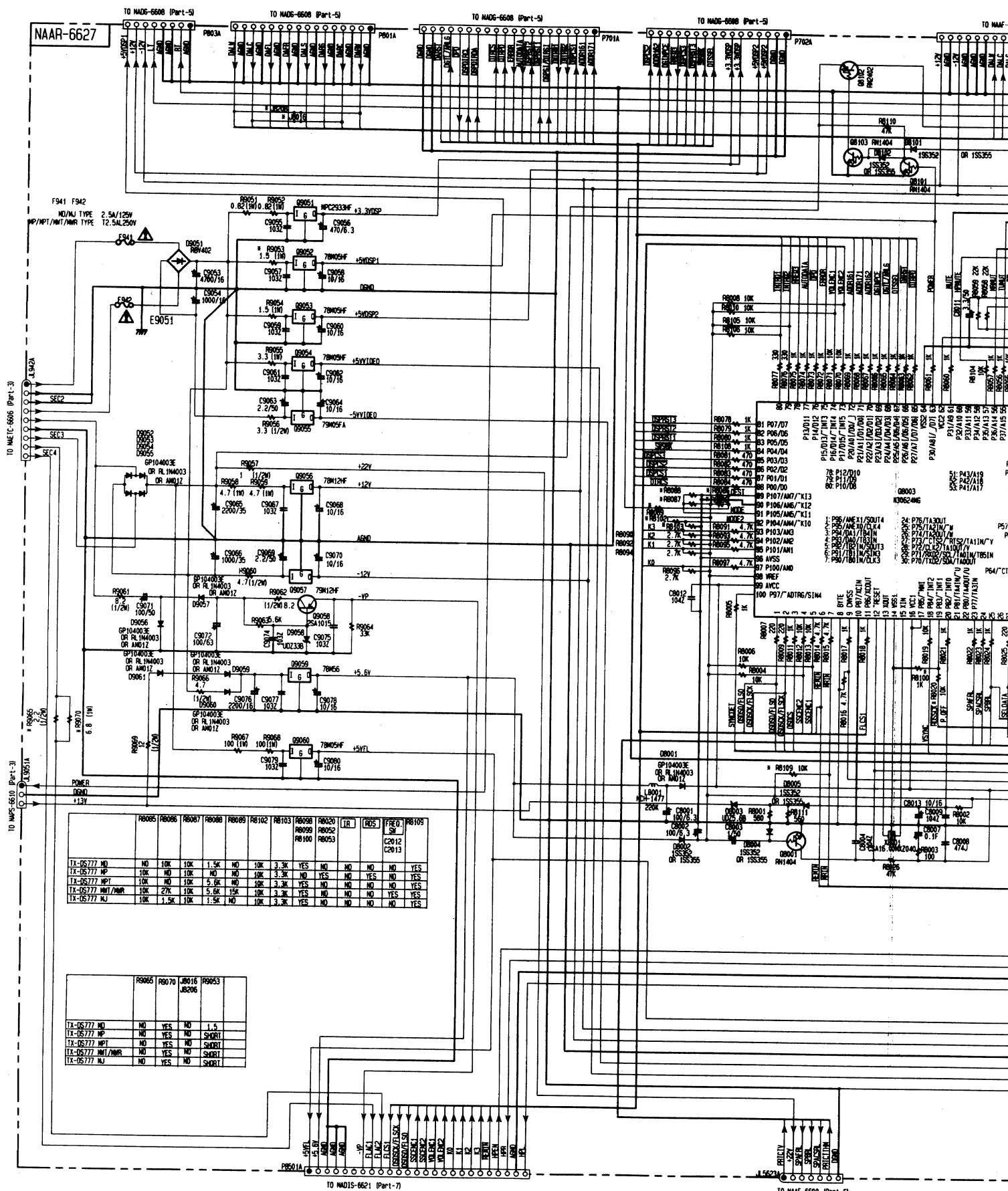
1

2

3

4

5



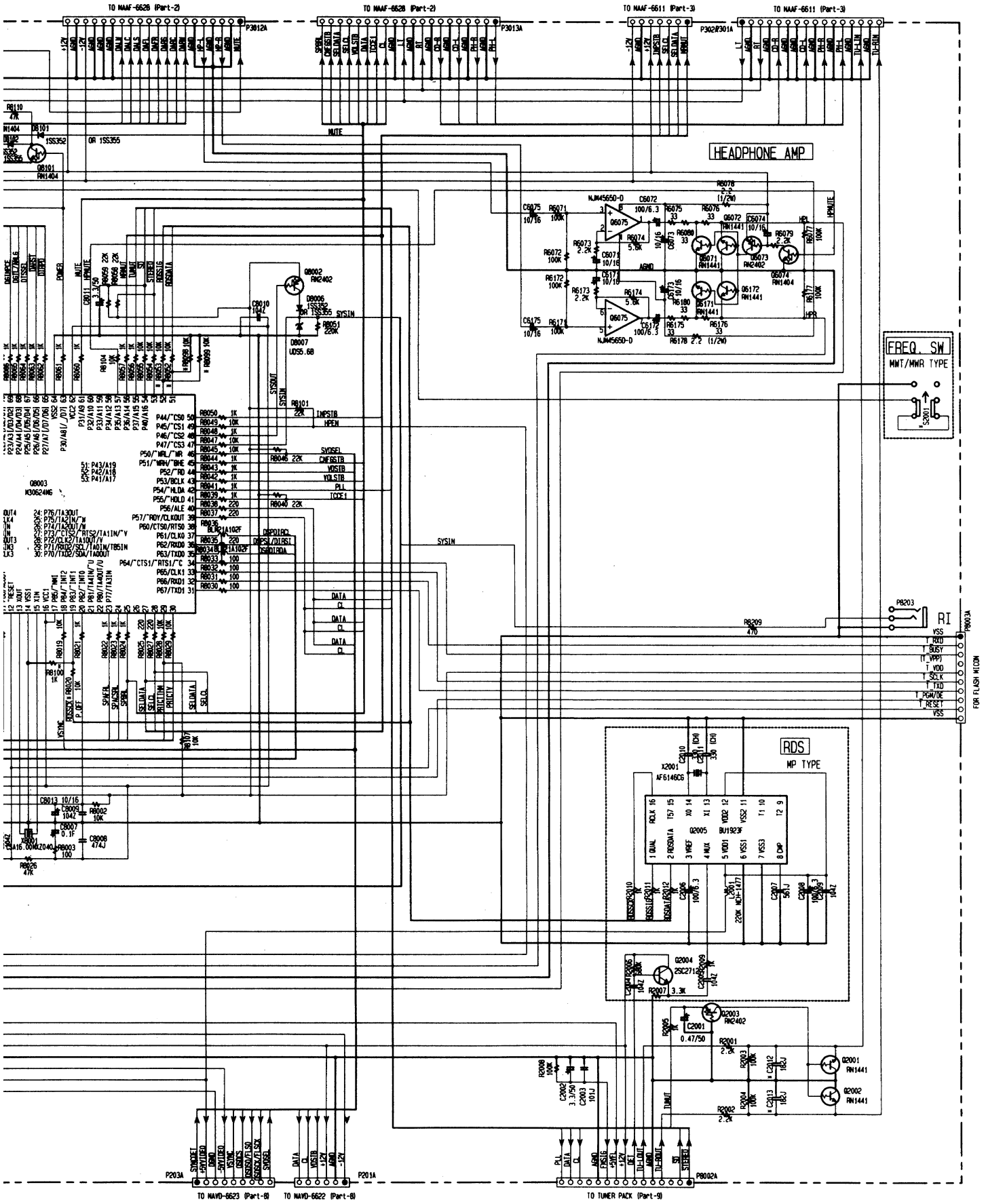
	R9065	R9066	R9067	R9068	R9069	R9102	R9103	R9098	R9020	TR	R905	F90	R9105	
TX-DS777 ND	NO	NO	NO	1.5K	NO	NO	NO	3.3K	YES	NO	NO	NO	NO	YES
TX-DS777 NP	NO	NO	NO	NO	NO	NO	NO	3.3K	NO	YES	NO	YES	NO	YES
TX-DS777 NPI	NO	NO	NO	5.6K	NO	NO	NO	3.3K	YES	NO	NO	NO	NO	YES
TX-DS777 NPI/MR	NO	27K	NO	10K	5.6K	NO	NO	3.3K	YES	NO	NO	NO	NO	YES
TX-DS777 NJ	NO	1.5K	NO	1.5K	NO	NO	NO	3.3K	YES	NO	NO	NO	NO	YES

	R9065	R9070	J9016	R9053
TX-DS777 ND	NO	YES	NO	1.5
TX-DS777 NP	NO	YES	NO	SHORT
TX-DS777 NPI	NO	YES	NO	SHORT
TX-DS777 NPI/MR	NO	YES	NO	SHORT
TX-DS777 NJ	NO	YES	NO	SHORT

E

F

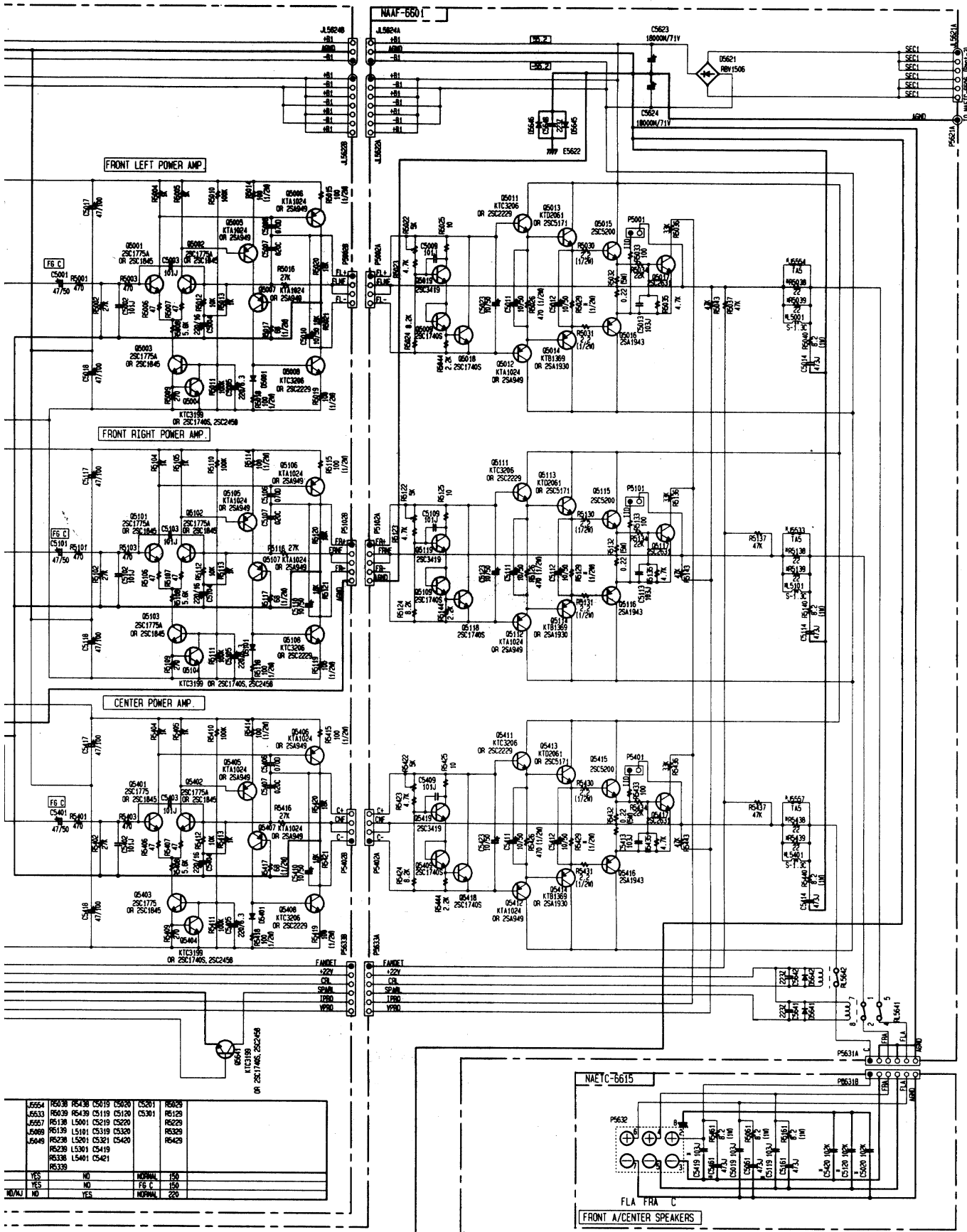
G



E

F

G



L5564	R5038	R5436	C5019	C5020	C5201	R5029
L5533	R5029	R5436	C5119	C5120	C5301	R5129
L5567	R5139	L5001	C5219	C5220	R5229	R5429
L5069	R5139	L5101	C5319	C5320	R5329	R5429
L5045	R5228	L5001	C5321	C5420	R5429	
	R5338	L5401	C5421			
	R5339					
YES	NO	NO/PM	150			
YES	NO	FE C	150			
NO/NO	NO	NO/PM	220			

A **B** **C** **D**

SCHEMATIC DIAGRAM 7

1

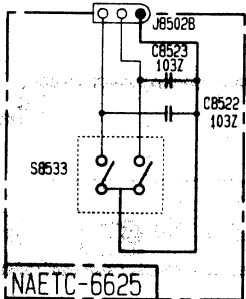
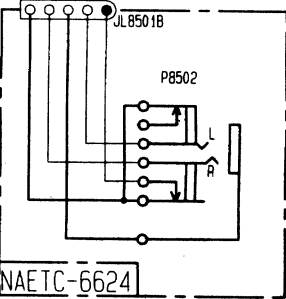
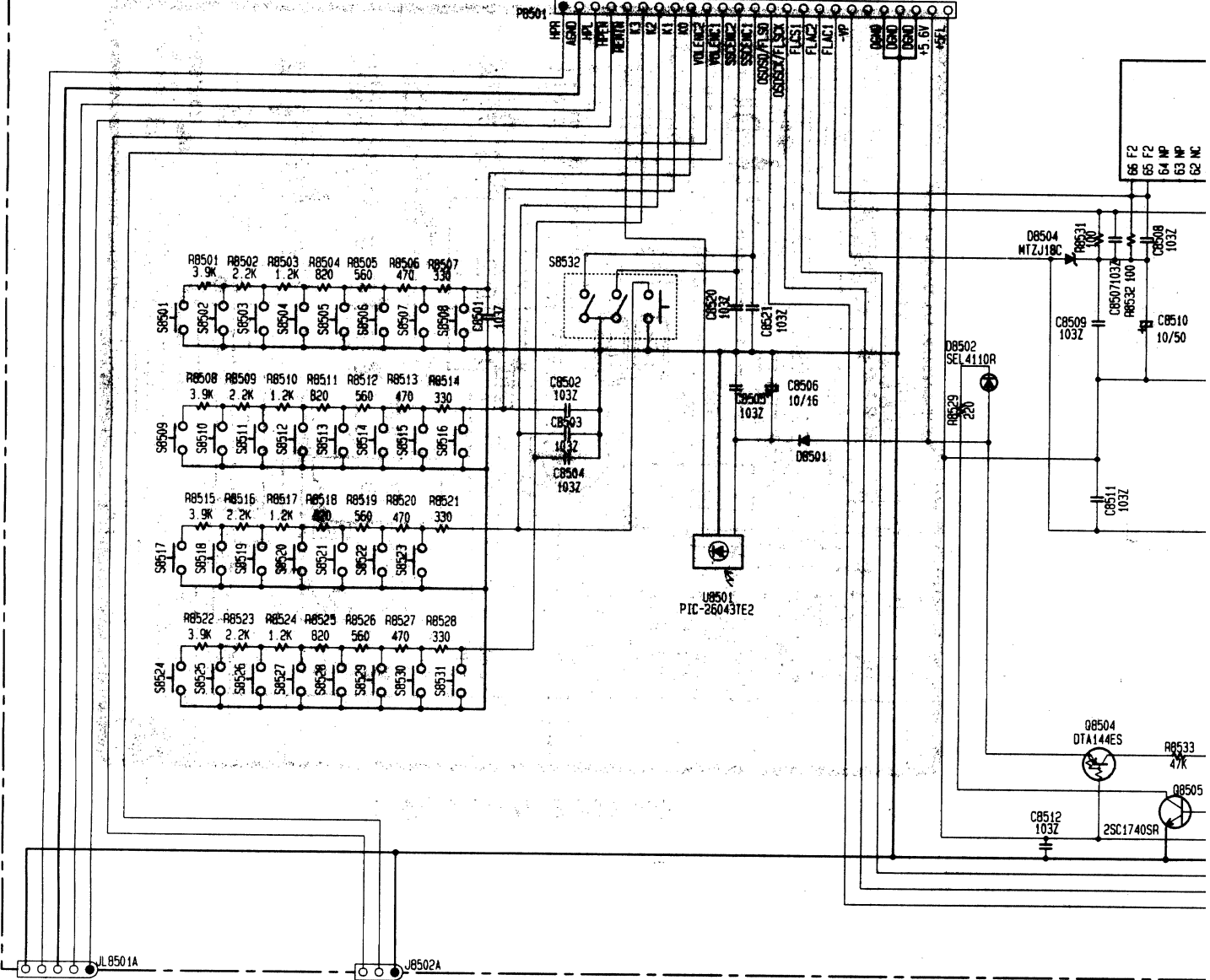
NADIS-6621

2

3

4

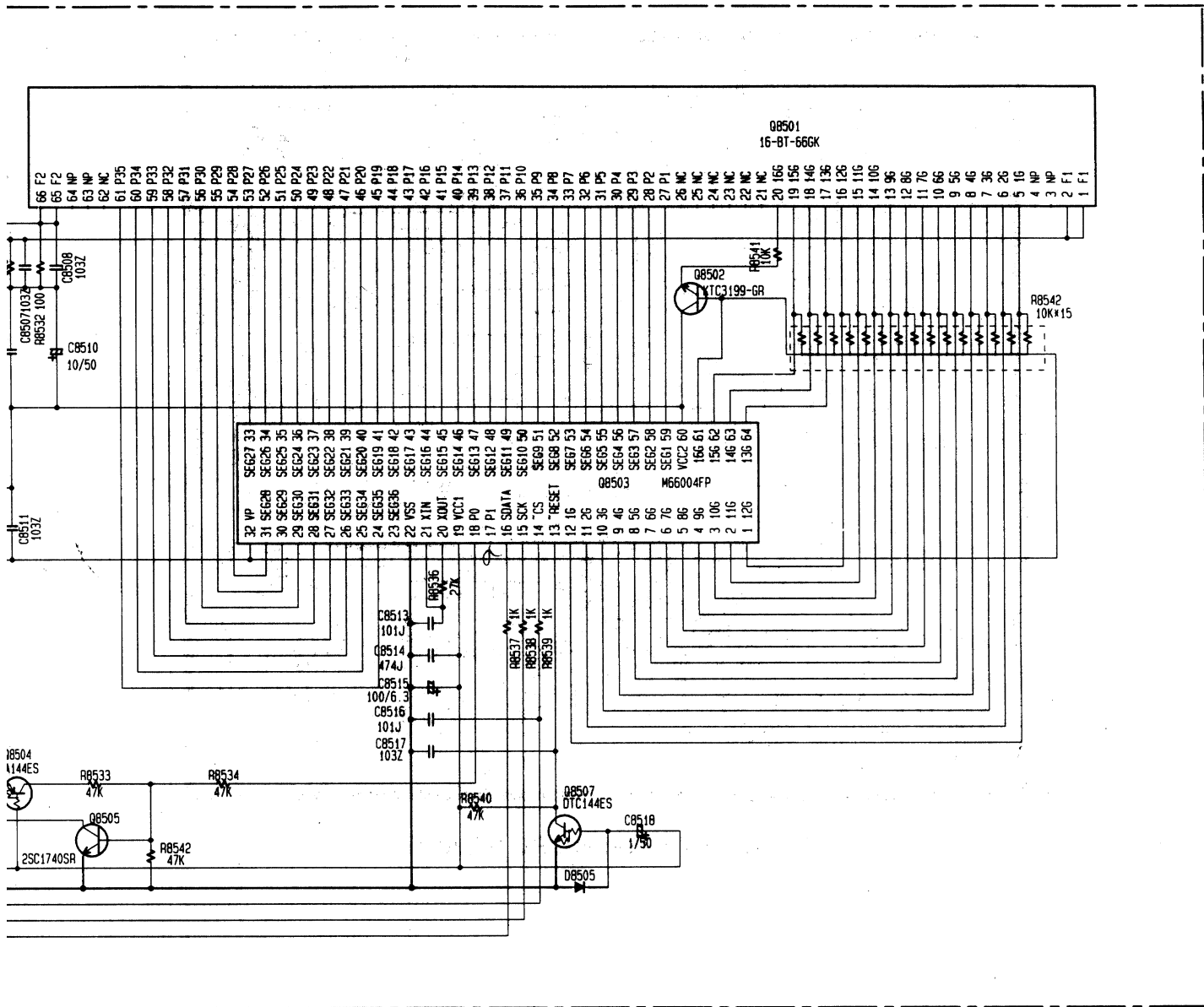
5



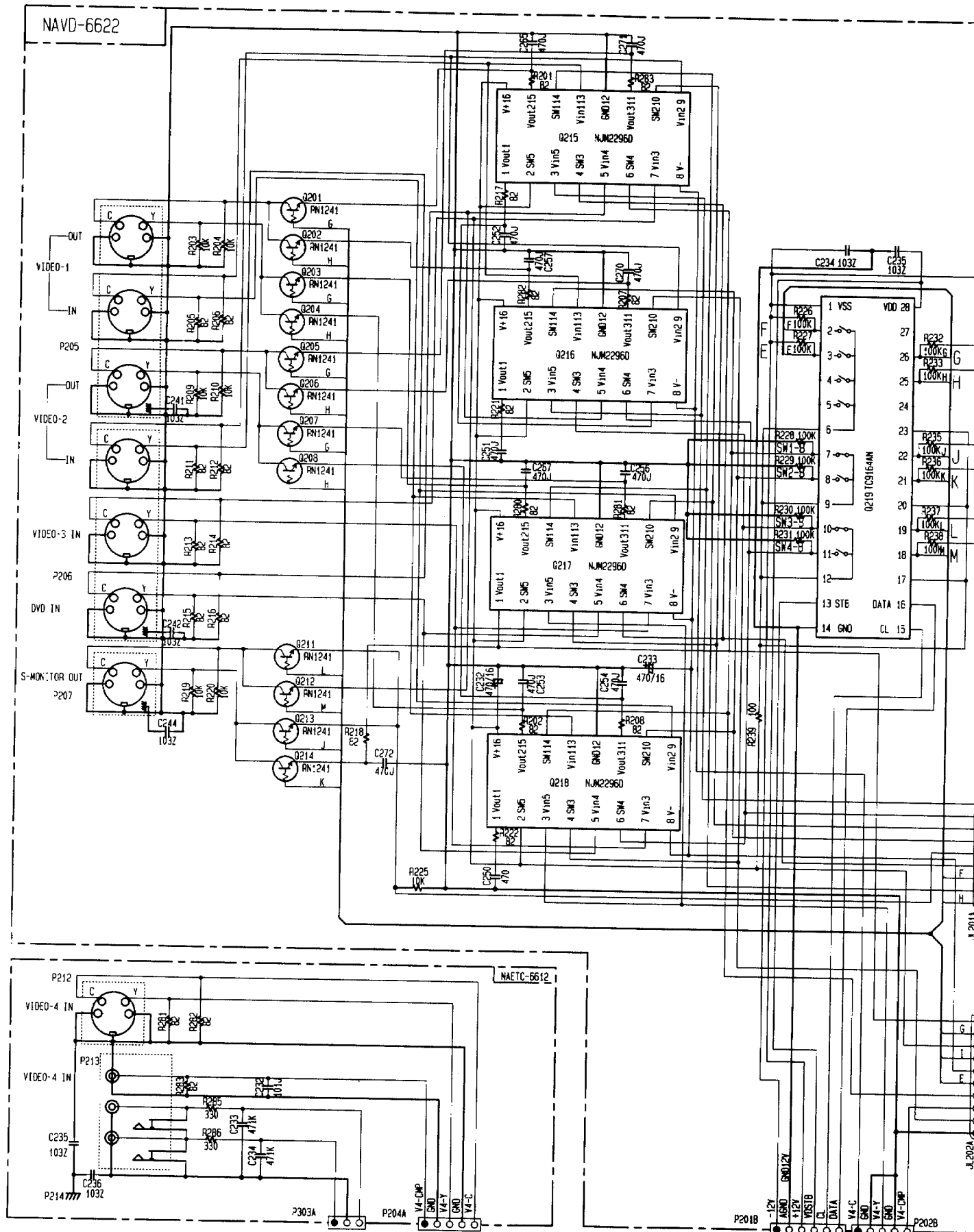
E

F

G



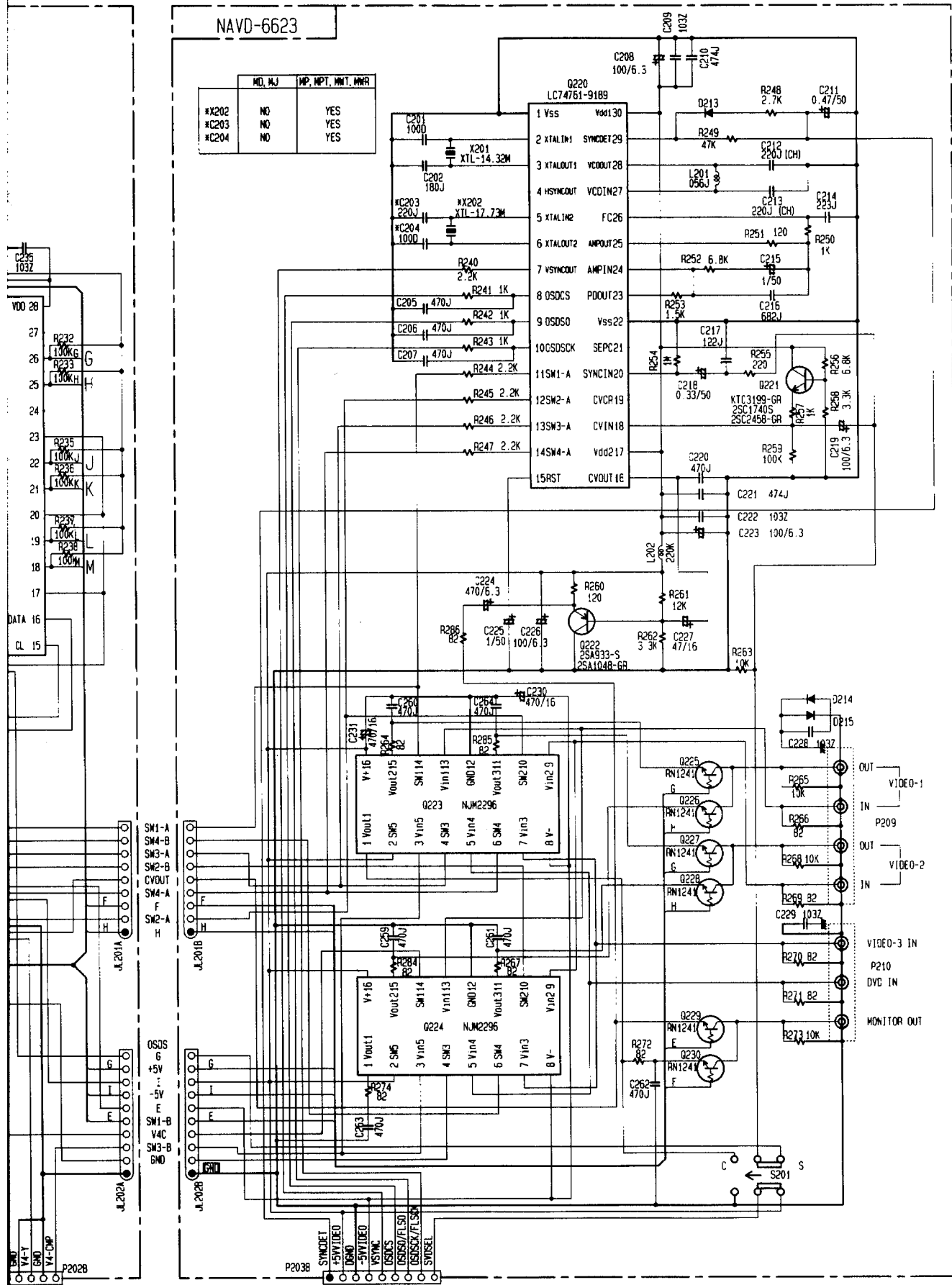
SCHEMATIC DIAGRAM 8

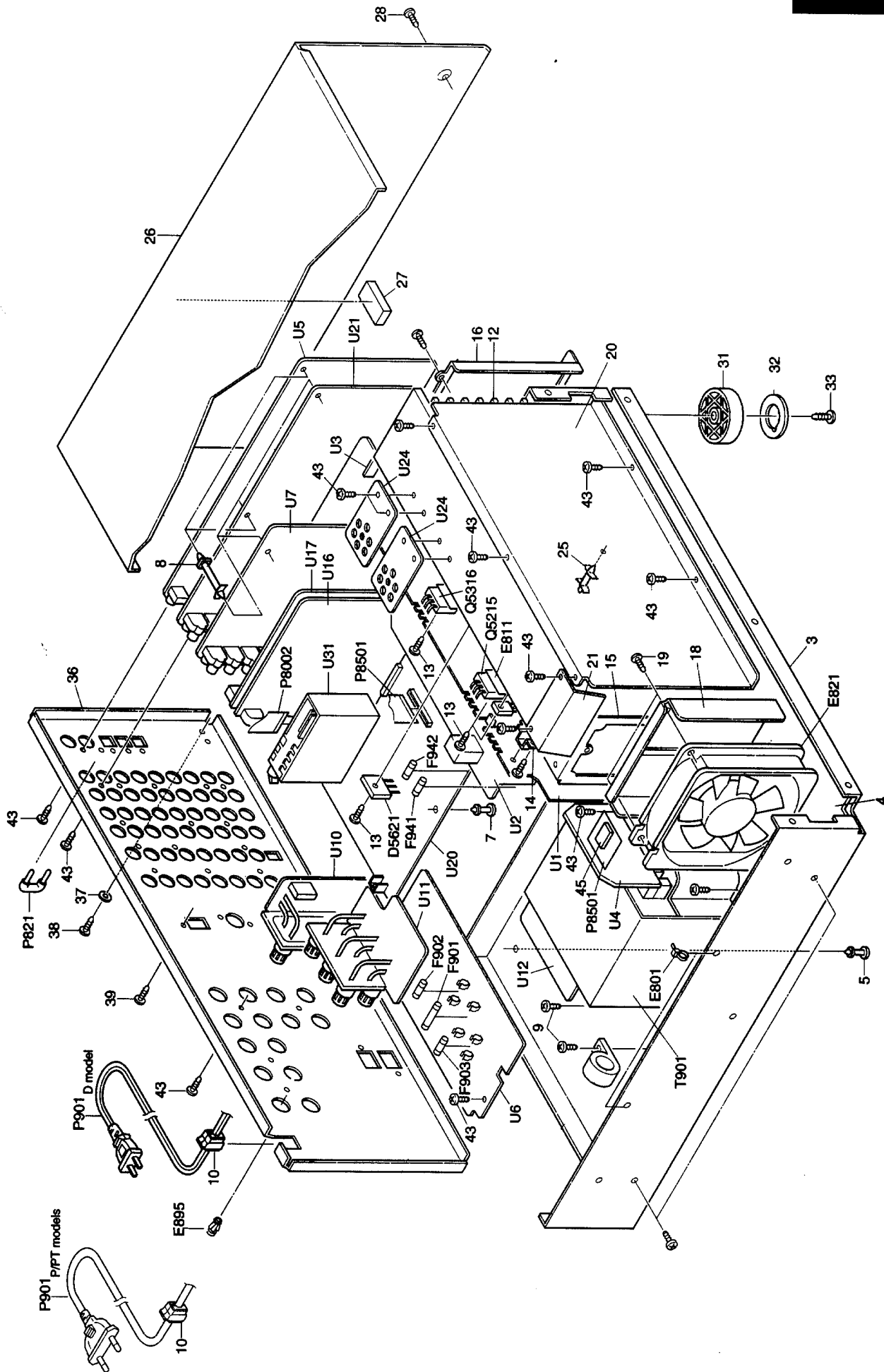


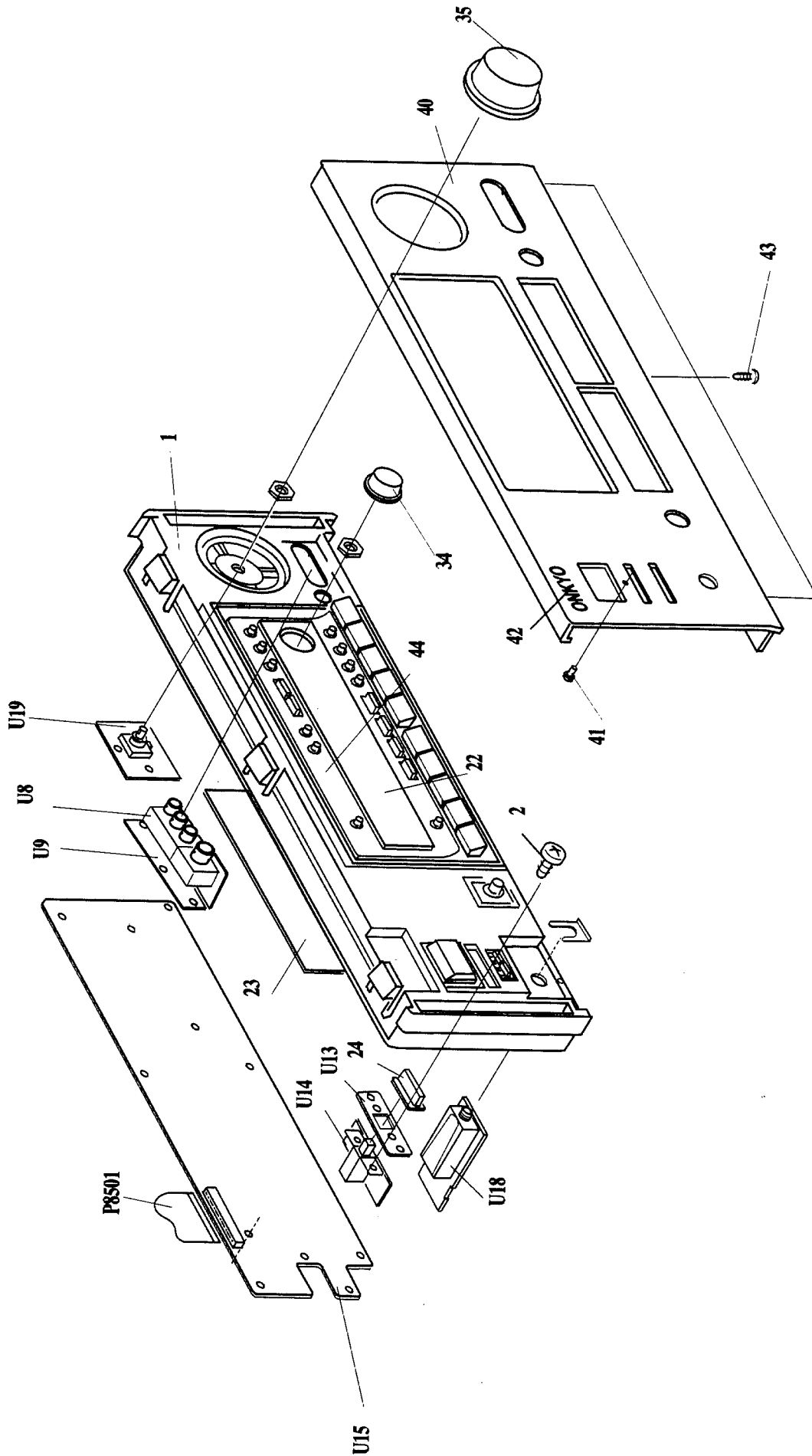
E F G

NAVD-6623

	NO. MJ	MP. NPT. MNT. MNR
*X202	NO	YES
*C203	NO	YES
*C204	NO	YES







PARTS LIST

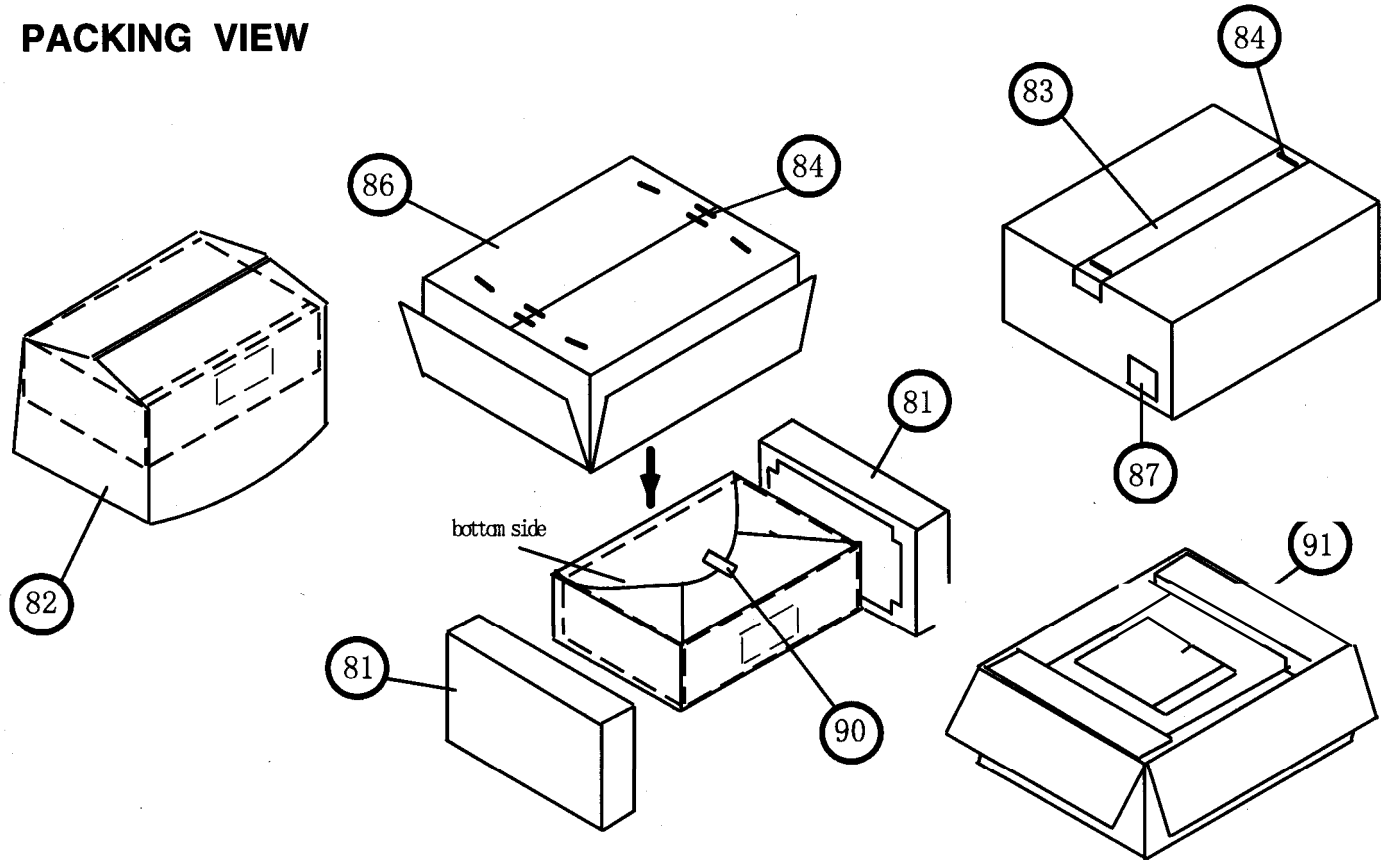
REF.NO.	PART NO.	DESCRIPTION	REF.NO.	PART NO.	DESCRIPTION
1	27111116	Front bracket 	37	87643010	W3*10F(BC),Flat washer
	27111117	Front bracket <G>	38	838930088	3TTB+8B(UN),Self-tapping screw
2	82143010	3P+10FN(BC),Pan head screw	39	838430068	3TTB+6B(BC),Self-tapping screw
3	27100373A	Chassis	40	27212100	Front panel
4	27130824B	Bracket PT		27212101	Front panel <G>
5	27190813	KGPS-10RF,Holder	41	28198778	Facet
6	27190965	Holder	42	28135244Y	Badge
7	27190428A	KGLS-10RF,Holder		28135245	Badge <G>
8	27190470	KGLS-18S,Holder	43	838130088	3TTB+8B,Self-tapping screw
9	830440089	4TTC+8C(BC),Self-tapping screw	44	27215323	Decorative frame <D>
10	27300750	△ #2271,Bushing,cord		27215324	Decorative frame <P>
11	27301396	HL-28-0,Clamp		27215325	Decorative frame <W>
12	27160446B	Heat sink		27215326	Decorative frame <G>
13	801433	3SMS8W.SW+14B(BC),Special screw	45	28141336Y	Cushion
14	27141681	Retainer PWB	D5621	22380044	RBV-1506,Diode
15	27141740	Retainer L	E801	260208	Wire tie
16	27141741	Retainer R	E811	223025	△ AC262,Isolated sheet
18	27141742	Retainer, fan	E821	24502308	D09T-24PG07(EX),Fan
19	838150108	5TTB+10B,Self-tapping screw	E895	880048	P-3055B-8L,Plastic rivet <P/T>
20	27141743	Retainer F	F901	252196	△ 12A-UL/T-314,Fuse <D/W>
21	27150439	Shield plate	F902	252079 or	△ 6.3A-SE-EAK or
22	28191851A	Clear plate		252245	△ 6.3A-SE-TI.250V,Fuse <P/T/W>
23	28133385	Back plate 	F903	252241 or	△ 2.5A-SE-TL250V or
	28133386	Back plate <G>		252075	△ 2.5A-SE-EAK,Fuse <P/T>
24	28325497A	Knob,Power 	F941,F942	252160	△ 2.5A-UL/T-237,Fuse <D>
	28325499A	Knob,Power <G>		252241 or	△ 2.5A-SE-TL250V or
25	27190902	KGPS-16S,Holder		252075	△ 2.5A-SE-EAK, Fuse <P/T/W>
26	28184757	Top cover 	P8002	2047151512	NCFC7-151512,Flexible flat cable
	28184758	Top cover <G>	P821	25055945	NPLG-2P898,Plug
27	28141272Y	10x60x20,Cushion	P8501	2047255012	NCFC7-255012,Flexible flat cable
28	838430088	3TTB+8B(BC), Self-tapping screw 	P901	253289HIT or	△ AS-UC-2#18 or
	838930088	3TTB+8B(UN), Self-tapping screw <G>		253281VOL	△ AS-UC-2#18,Power supply cord <D>
31	27175319A	Leg		253246KAW	△ AS-CEE-2,Power supply cord <P/T>
32	28141332	Cushion		253274KAW	△ AS-CCEE,Power supply cord <WR>
33	831430088	3TTW+8B(BC),Self-tapping screw		253287HIT	△ AS-CCEE,Power supply cord <WT>
34	28325665	Knob SS 	Q5015,Q5115	2202822 or	* 2SC5200-R or
	28325666	Knob SS <G>	Q5215,Q5315	2202823	* 2SC5200-O,Transistor
35	28325651	Knob, Volume 	Q5016,Q5116	2202812 or	* 2SA1943-R or
	28325653	Knob, Volume <G>	Q5216,Q5316	2202813	* 2SA1943-O,Transistor
36	27122589	Rear panel <D>	Q5019,Q5119	2212863 or	2SC3419-O or
	27122590	Rear panel <P>	Q5419	2212864	2SC3419-Y,Transistor
	27122591	Rear panel <T>	Q5415	2202822 or	* 2SC5200-R or
	27122592	Rear panel <WT>		2202823	* 2SC5200-O,Transistor
	27122593	Rear panel <WR>	Q5416	2202812 or	* 2SA1943-R or
				2202813	* 2SA1943-O,Transistor

REF.NO.	PART NO.	DESCRIPTION	REF.NO.	PART NO.	DESCRIPTION
T901	2301410	△ NPT-1371D,Power transformer <D>	U14	1A837519-1A	NASW-6619-1A,Power switch PC board ass'y <D>
	2301411	△ NPT-1371P,Power transformer <P/T>		1A837519-1B	NASW-6619-1B,Power switch PC board ass'y <P>
	2301412	△ NPT-1371DG,Power transformer <W>		1A837519-1C	NASW-6619-1C,Power switch PC board ass'y <W>
U1	1A837500-1A	NAAF-6600-1A,Power amplifier PC board ass'y <D>		1A837519-1E	NASW-6619-1E,Power switch PC board ass'y <T>
	1A837500-1B	NAAF-6600-1B,Power amplifier PC board ass'y <P/T/W>	U15	1A837521-1A	NADIS-6621-1A,Display circuit PC board ass'y <D>
U2	1A837501-1A	NAAF-6601-1A,Front/center power amplifier PC board ass'y <D>		1A837521-1B	NADIS-6621-1B,Display circuit PC board ass'y <P>
	1A837501-1B	NAAF-6601-1B,Front/center power amplifier PC board ass'y <P/T/W>		1A837521-1C	NADIS-6621-1C,Display circuit PC board ass'y <T/W>
U3	1A837502-1A	NAETC-6602-1A,Thermal detector PC board ass'y <D>	U16	1A837522-1A	NAVD-6622-1A,S- video terminal PC board ass'y <D>
	1A837502-1B	NAETC-6602-1B,Thermal detector PC board ass'y <P/T/W>		1A837522-1B	NAVD-6622-1B,S- video terminal PC board ass'y <P>
U4	1A837506-1A	NAETC-6606-1A,Secondary circuit PC board ass'y <D>		1A837522-1C	NAVD-6622-1C,S- video terminal PC board ass'y <T/W>
	1A837506-1B	NAETC-6606-1B,Secondary circuit PC board ass'y <P/T/W>	U17	1A837523-1A	NAVD-6623-1A,On-screen PC board ass'y <D>
U5	1A837508-1A	NADG-6608-1A,DSP circuit PC board ass'y <D>		1A837523-1B	NAVD-6623-1B,On-screen PC board ass'y <P>
	1A837508-1B	NADG-6608-1B,DSP circuit PC board ass'y <P/T/W>		1A837523-1C	NAVD-6623-1C,On-screen PC board ass'y <T/W>
U6	1A837510-1A	NAPS-6610-1A,Primary circuit PC board ass'y <D>	U18	1A837524-1A	NAETC-6624-1A,Headphone terminal PC board ass'y <D>
	1A837510-1B	NAPS-6610-1B,Primary circuit PC board ass'y <P>		1A837524-1B	NAETC-6624-1B,Headphone terminal PC board ass'y <P>
	1A837510-1C	NAPS-6610-1C,Primary circuit PC board ass'y <W>		1A837524-1C	NAETC-6624-1C,Headphone terminal PC board ass'y <T/W>
	1A837510-1E	NAPS-6610-1E,Primary circuit PC board ass'y <T>	U19	1A837525-1A	NAETC-6625-1A,Mian volume PC board ass'y <D>
U7	1A837511-1A	NAAF-6611-1A,Input terminal PC board ass'y <D>		1A837525-1B	NAETC-6625-1B,Mian volume PC board ass'y <P>
	1A837511-1B	NAAF-6611-1B,Input terminal PC board ass'y <P>		1A837525-1C	NAETC-6625-1C,Mian volume PC board ass'y <T/W>
	1A837511-1C	NAAF-6611-1C,Input terminal PC board ass'y <W>	U20	1A837527-1A	NAAR-6627-1A,Main circuit PC board ass'y <D>
	1A837511-1E	NAAF-6611-1E,Input terminal PC board ass'y <T>		1A837527-1B	NAAR-6627-1B,Main circuit PC board ass'y <P>
U8	1A837512-1A	NAETC-6612-1A,Front video terminal PC board ass'y <D>		1A837527-1C	NAAR-6627-1C,Main circuit PC board ass'y <T>
	1A837512-1B	NAETC-6612-1B,Front video terminal PC board ass'y <P>		1A837527-1D	NAAR-6627-1D,Main circuit PC board ass'y <W>
	1A837512-1C	NAETC-6612-1C,Front video terminal PC board ass'y <W>	U21	1A837528-1A	NAAF-6628-1A,Preamplifier PC board ass'y <D>
	1A837512-1E	NAETC-6612-1E,Front video terminal PC board ass'y <T>		1A837528-1B	NAAF-6628-1B,Preamplifier PC board ass'y <P>
U9	1A837513-1A	NAETC-6613-1A,Holder for PC board <D>		1A837528-1C	NAAF-6628-1C,Preamplifier PC board ass'y <T>
	1A837513-1B	NAETC-6613-1B,Holder for PC board <P>		1A837528-1D	NAAF-6628-1D,Preamplifier PC board ass'y <W>
	1A837513-1C	NAETC-6613-1C,Holder for PC board <W>	U24	25136607	NCETC-6607,Holder PC board <D>
	1A837513-1E	NAETC-6613-1E,Holder for PC board <T>	U25	25136723	NCETC-6723,Holder PC board <D>
U10	1A837514-1A	NAETC-6614-1A,Surround/front B speaker terminal PC board ass'y <D>	U31	240134	TFCE1U114A,Tuner pack <D>
	1A837514-1B	NAETC-6614-1B,Surround/front B speaker terminal PC board ass'y <P>		240135	TFCE1E512A,Tuner pack <P/T/W>
	1A837514-1C	NAETC-6614-1C,Surround/front B speaker terminal PC board ass'y <W>			
	1A837514-1E	NAETC-6614-1E,Surround/front B speaker terminal PC board ass'y <T>			
U11	1A837515-1A	NAETC-6615-1A,Front/center speaker terminal PC board ass'y <D>			
	1A837515-1B	NAETC-6615-1B,Front/center speaker terminal PC board ass'y <P>			
	1A837515-1C	NAETC-6615-1C,Front/center speaker terminal PC board ass'y <W>			
	1A837515-1E	NAETC-6615-1E,Front/center speaker terminal PC board ass'y <T>			
U12	1A837517-1A	NAETC-6617-1A,Power transformer terminal PC board ass'y <D>			
	1A837517-1B	NAETC-6617-1B,Power transformer terminal PC board ass'y <P>			
	1A837517-1C	NAETC-6617-1C,Power transformer terminal PC board ass'y <W>			
	1A837517-1E	NAETC-6617-1E,Power transformer terminal PC board ass'y <T>			
U13	1A837518-1A	NASW-6618-1A,Holder for PC board <D>			
	1A837518-1B	NASW-6618-1B,Holder for PC board <P>			
	1A837518-1C	NASW-6618-1C,Holder for PC board <W>			
	1A837518-1E	NASW-6618-1E,Holder for PC board <T>			

NOTE: : Black model only <T>: Asian model only
<G>: Golden model only <W>: Worldwide model only
<D>: 120V model only <WT>: Taiwanese model only
<P>: 230V model only <WR>: Chinese model only

NOTE: THE COMPONENTS IDENTIFIED BY MARK
△ ARE CRITICAL FOR RISK OF FIRE AND
ELECTRIC SHOCK. REPLACE ONLY WITH
PART NUMBER SPECIFIED.

PACKING VIEW



PARTS LIST

REF.NO.	PART NO.	DESCRIPTION	
81	29091881A	Pad	29100097-1A
82	29100153Y	1020x720,Polybag	29365083
83	29110098	PP tape	29095866
84	282301	Staple	29342721A
86	29053440	Carton box <D>	29342722
	29053441	Carton box <P>	29342723
	29053442	Carton box <T/W>	29342726
	29053443	Carton box <G>	29342725
87	29362452	Label EAN <P/T/W>	24140392A
	29362453	Label EAN <G>	3010054
	29362455	Label UPC <D>	25055018
90	261504	Paper tape	25056005 or
			292115
			292142
			25065462
			232140
			350*250,Polybag
			Warranty card <D>
			Instruction sheet <D>
			Instruction manual E
			Instruction manual U3 GSWD <P>
			Instruction manual U3 FSI <P>
			Instruction manual T <T/W>
			Instruction manual <D>
			RC-392M,remote controller
			Battery
			CV-K-1,Conversion plug <WT>
			CV-K-1 or
			FM antenna <P/T/W>
			FM antenna <D>
			YAE21-0237,FM antenna adapter <T/W>
			NMA-3057,AM loop antenna

NOTE: : Black model only
 <G>: Golden model only
 <D>: 120V model only
 <P>: European model only

<T>: Asian model only
 <W>: Worldwide model only
 <WT>: Taiwanese model only

ONKYO CORPORATION

Sales & Product Planning Div. : 2-1, Nisshin-cho, Neyagawa-shi, OSAKA 572-8540, JAPAN
 Tel: 0720-31-8111 Fax: 0720-33-5222

ONKYO U.S.A. CORPORATION

200 Williams Drive, Ramesy, N.J. 07446, U.S.A.
 Tel: 201-825-7950 Fax: 201-825-8150 E-mail: onkyo@onkyousa.com

ONKYO EUROPE ELECTRONICS GmbH

Industriestrasse 20, 82110 Germering, GERMANY
 Tel: 089 84 93 20 Fax: 089 84 93 226 E-mail: info@onkyo.de

ONKYO CHINA LIMITED

Units 2102-7, Metroplaza Tower I, 223 Hing Fong Road, Kwai Chung,
 N.T., HONG KONG Tel: 852 2429 3118 Fax: 852 2428 9039

